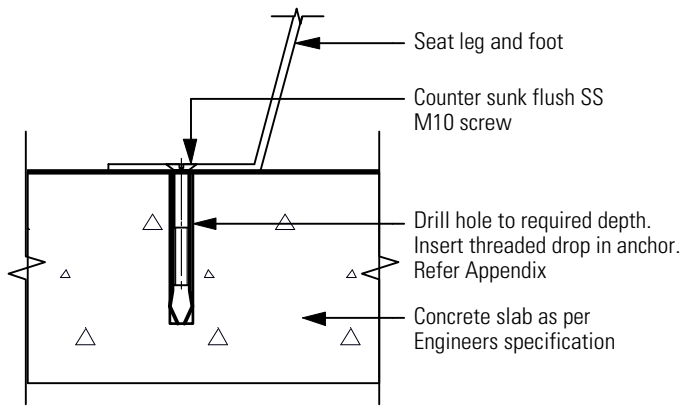
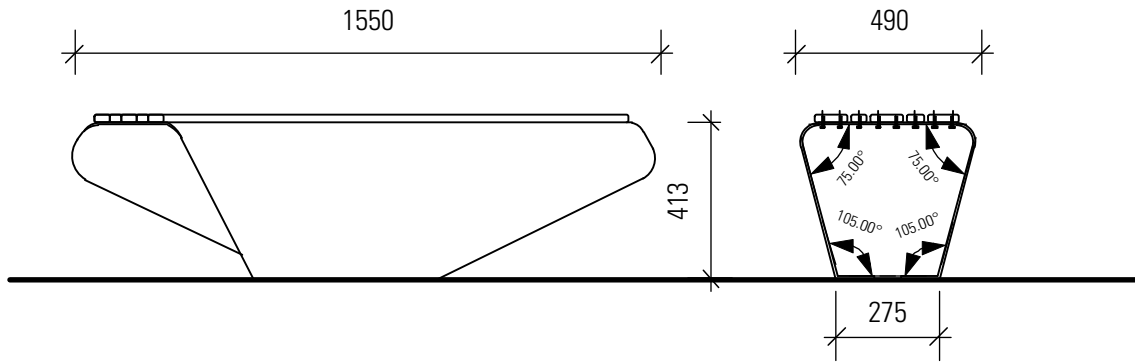
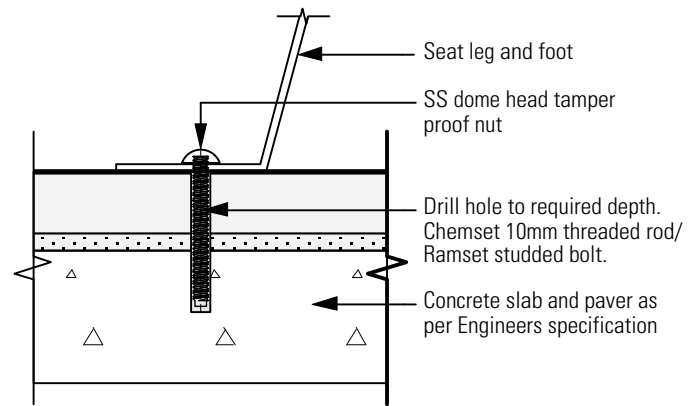


<b>Design Statement</b>	This press folded stainless steel urban bench offers a versatile and robust seating feature in locations where facing both directions is desirable. The composite timber slats are an ideal combination with stainless steel to minimalise vandalism and maintenance requirements.
<b>Style</b>	Custom designed bench seat
<b>Materials</b>	6mm folded plate 304 2B stainless steel Urbanline Duro Screen® slats
<b>Finish</b>	Stainless steel - Sandblasted, pickled & polished Urbanline Duro Screen® slats - Natural mill finish
<b>Installation</b>	Bench to be bolted down as per details
<b>Maintenance</b>	Hand or pressure clean as required. Slats to be replaced individually as required. Graffiti removal by pressure clean or with non-toxic product such as Graffiti Removal Systems.
<b>Frequency</b>	Periodically (6 monthly)
<b>Recommended Use</b>	Recommended to be used in all general streetscape areas where option to face both directions is desirable and at bus stops.
<b>Supplier</b>	Maroondah City Council



**FIXING DETAIL (DROP IN ANCHOR)**



**FIXING DETAIL (CHEMSET)**

