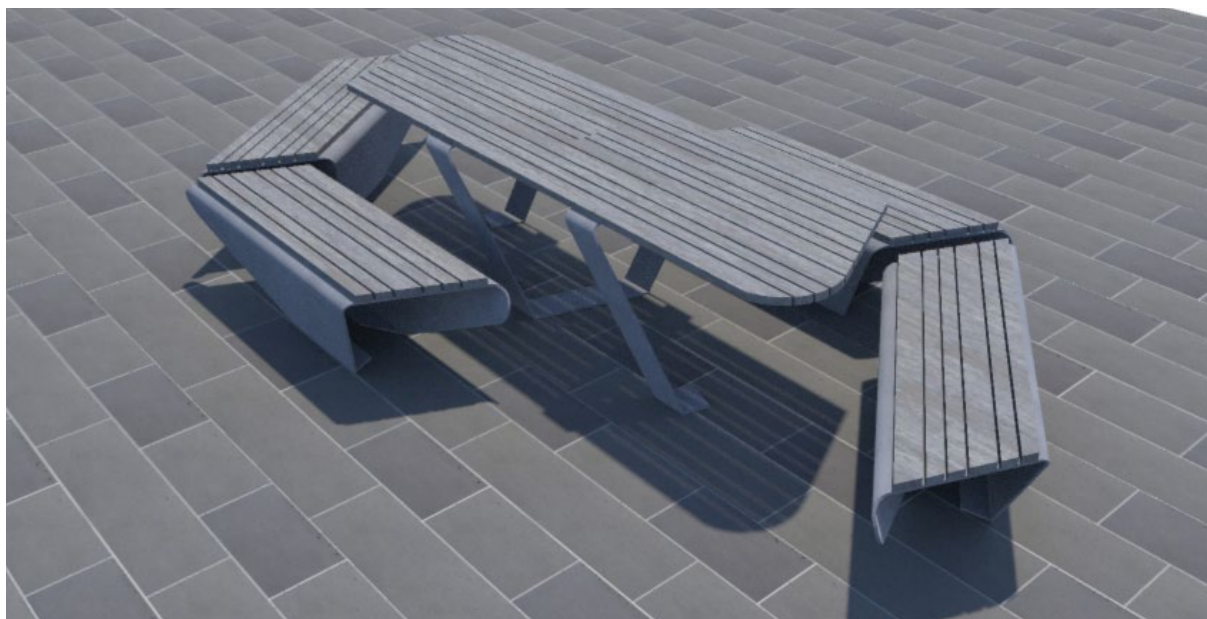
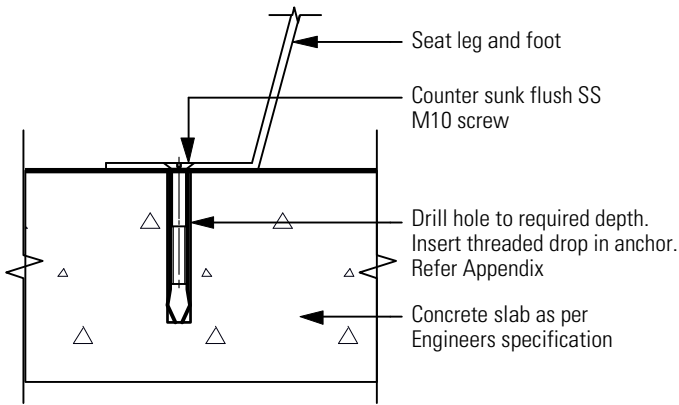
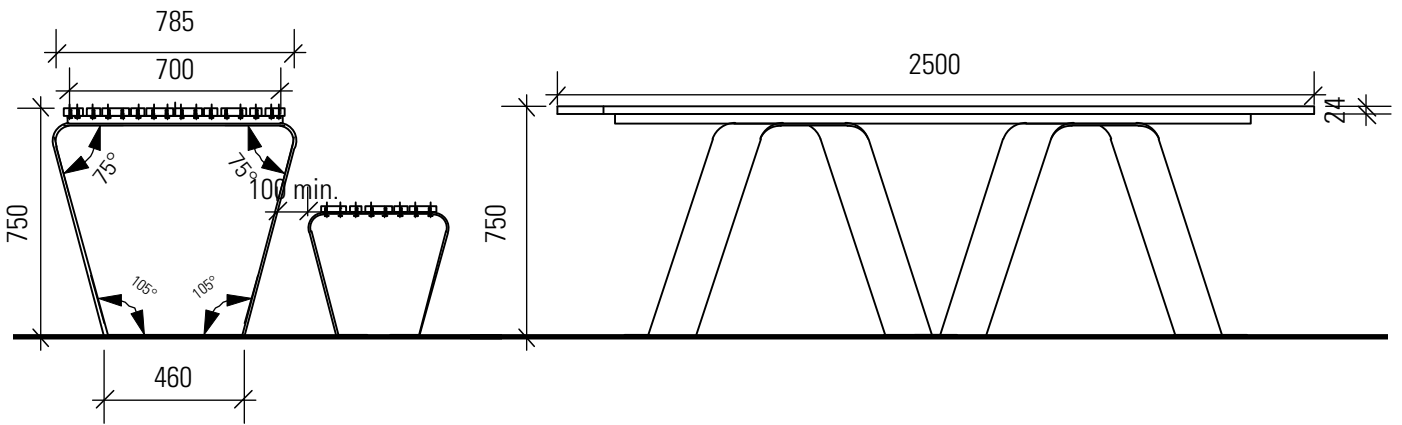


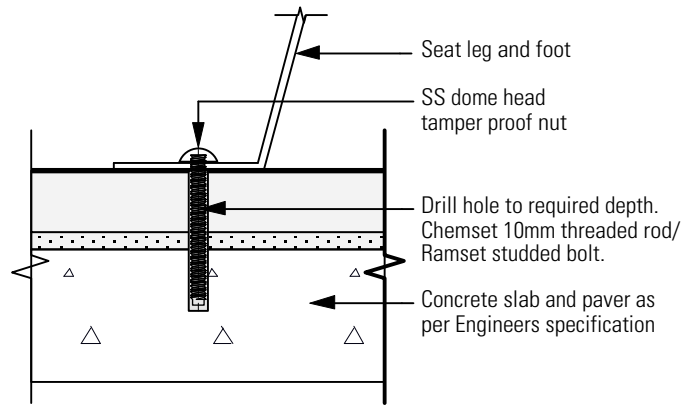
# TABLE with seats



<b>Design Statement</b>	This uniquely designed table has a clear transparent profile and offers opportunities for multiple setting arrangements. The table is wheelchair accessible and is durable against the toughest of conditions.
<b>Style</b>	Custom designed accessible urban table with flexible seating arrangement
<b>Materials</b>	8mm folded plate 304 2B stainless steel Urbanline Duro Screen® slats
<b>Finish</b>	Stainless steel - Sandblasted, pickled & polished Urbanline Duro Screen® slats - Natural mill finish
<b>Installation</b>	Table to be located in urban areas with footing to Engineers detail and bolted down as per associated details. Bench seats (Refer RF002)
<b>Maintenance</b>	Hand or pressure clean as required. Slats to be replaced individually as required. Graffiti removal by pressure clean or with non-toxic product such as Graffiti Removal Systems.
<b>Frequency</b>	Periodically (6 monthly)
<b>Recommended Use</b>	Recommended to be used in urban squares and plazas where eating is encouraged.
<b>Supplier</b>	Maroondah City Council



**FIXING DETAIL (DROP IN ANCHOR)**



**FIXING DETAIL (CHEMSET)**

