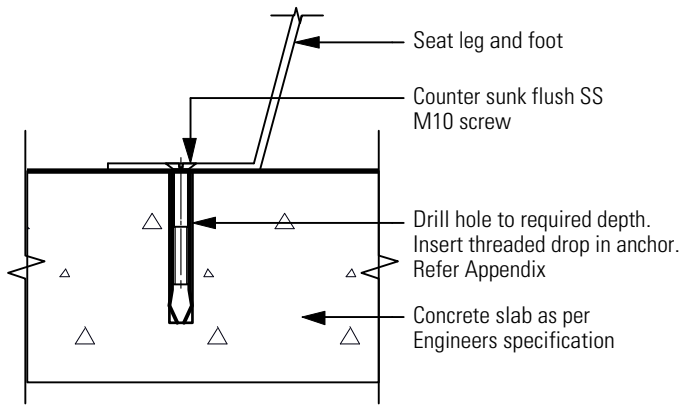
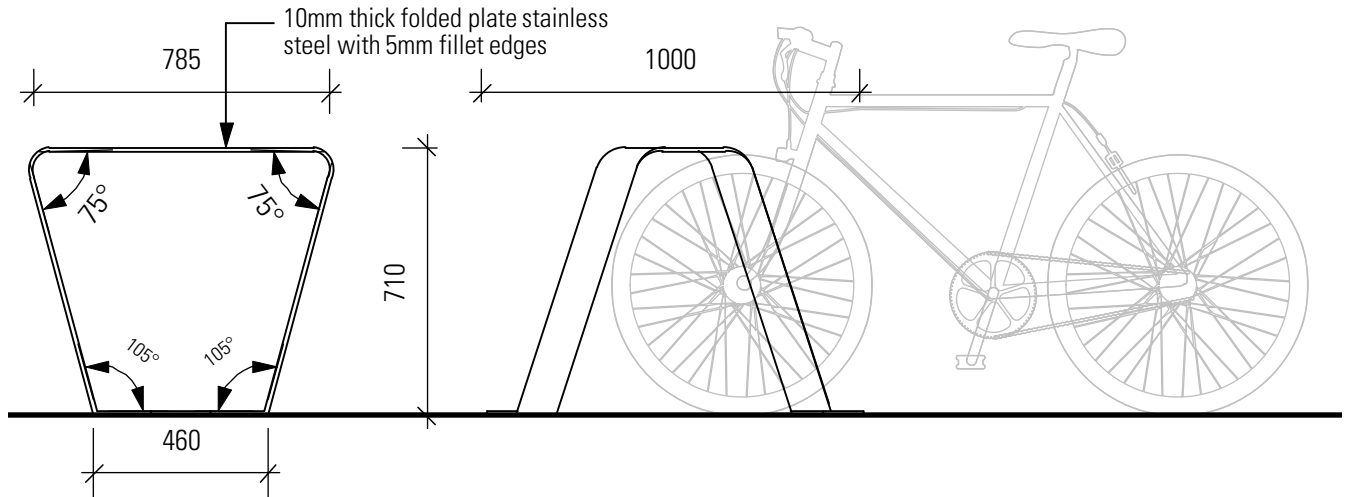
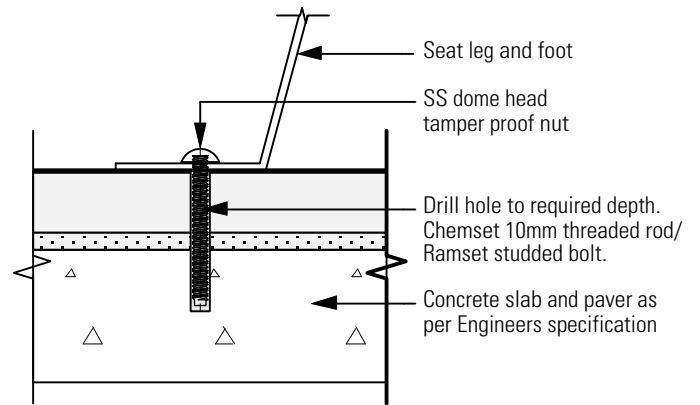




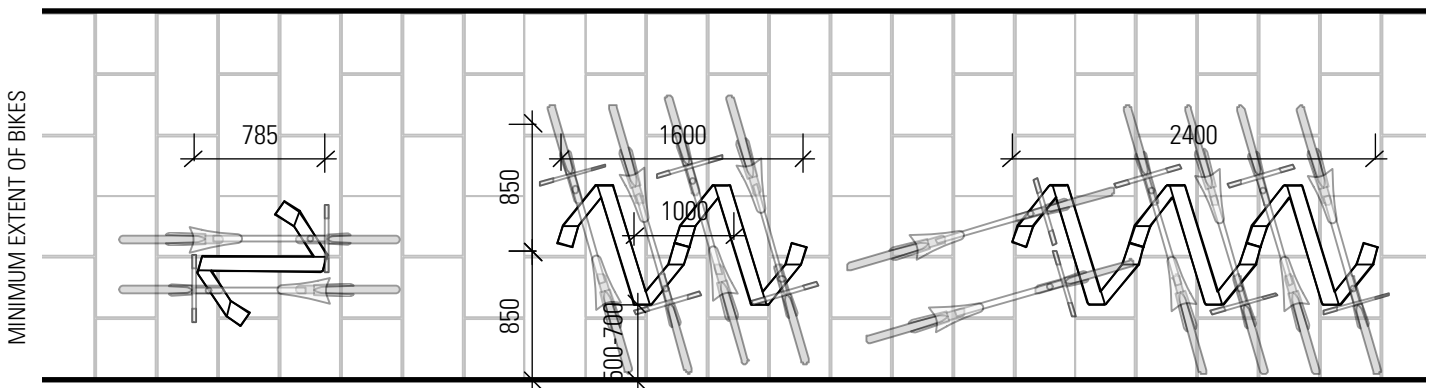
Design Statement	This modular bike rack provides a unique sculptural feature in any urban setting as well as offering flexibility for both user and passer by. By installing a single or multiple combination the rack promotes a friendly bike environment within the Ringwood Centre.
Style	Custom designed modular bike rack with flexible arrangement and parking options
Materials	10mm folded plate 304 2B stainless steel
Finish	Stainless steel - Sandblasted, pickled & polished Filletted edges
Installation	Install perpendicular (single only) or parallel to kerb (multiple). Bolted down as per associated details on footing to Engineers detail.
Maintenance	Hand or pressure clean as required. Graffiti removal by pressure clean or with non-toxic product such as Graffiti Removal Systems.
Frequency	Infrequently (Annually)
Recommended Use	Recommended to be used in all general areas throughout Ringwood, including urban plazas, streetscapes and Ringwood train station.
Supplier	Maroondah City Council



FIXING DETAIL (DROP IN ANCHOR)



FIXING DETAIL (CHEMSET)



SINGLE HOOP

DOUBLE HOOP

TRIPLE HOOP