

Design Statement This unique shard bollard is an architectural feature within the landscape which functions individually or in combination. The simple fabrication provides strong structural integrity and also folded plate stainless steel complements the other elements.

Style Custom designed removable bollard

Materials 4mm folded plate 304 2B stainless steel

Finish Stainless steel - Sandblasted, pickled & polished
Laser cut 'Ringwood going places' logo

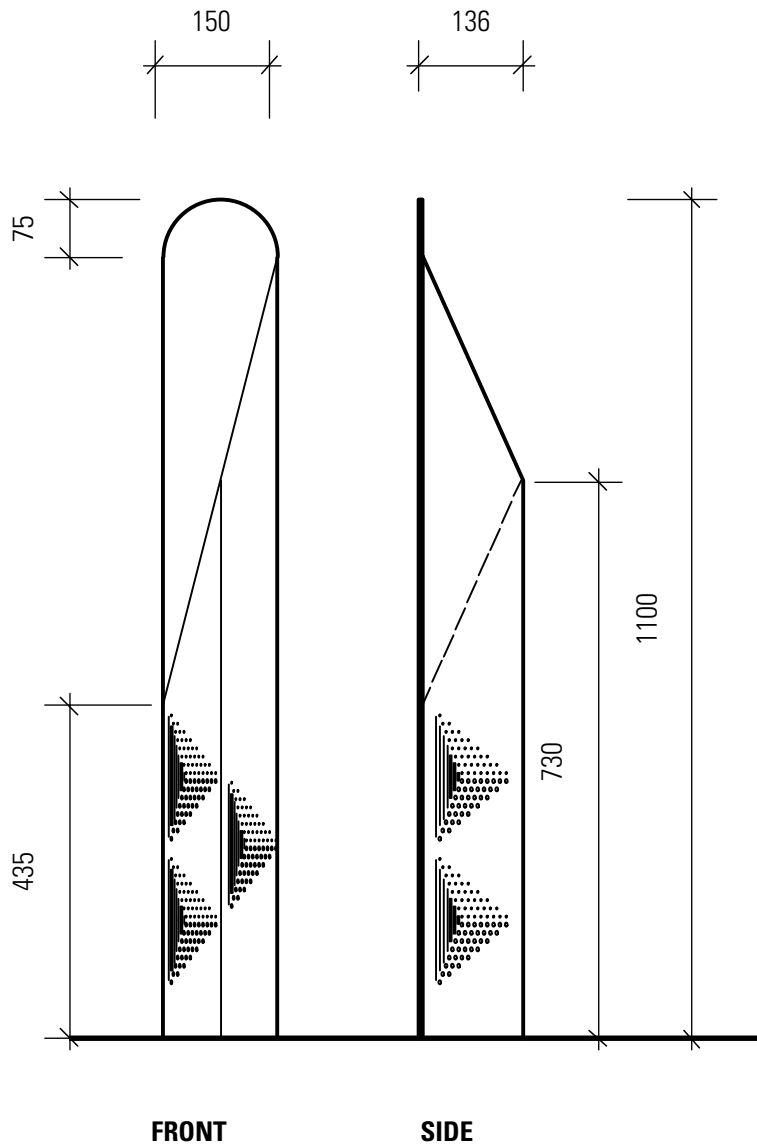
Installation Bolt down subsurface sleeve as per associated details on footing to Engineers detail.
Place bollard shaft into sleeve and lock as required.

Maintenance Hand or pressure clean as required.
Graffiti removal by pressure clean or with non-toxic product such as Graffiti Removal Systems.

Frequency Infrequently (Annually)

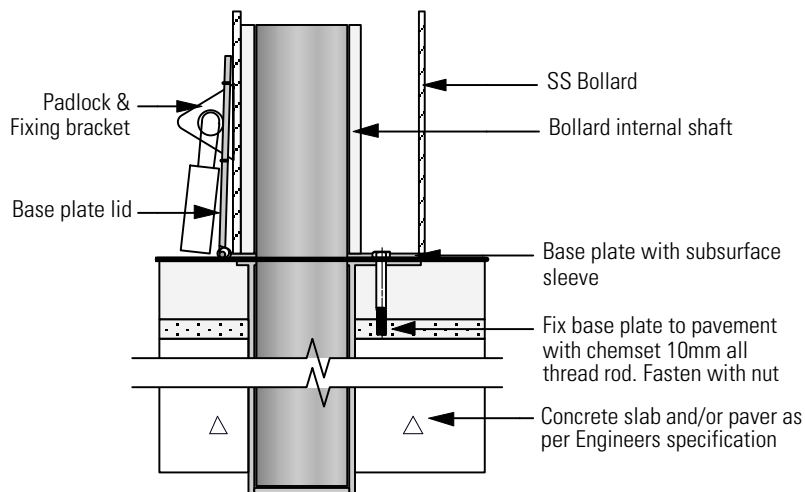
Recommended Use Recommended to be used in all general urban areas throughout Ringwood. This includes urban plazas, streetscapes and Ringwood train station as required in to control and allow access.

Supplier Maroondah City Council

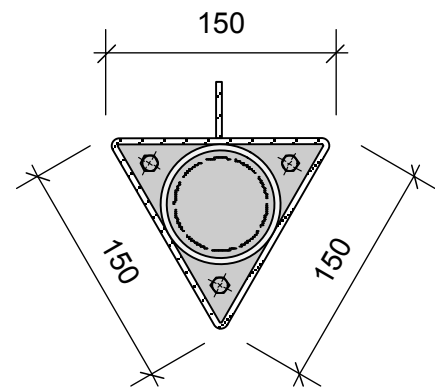


FRONT

SIDE



FIXING DETAIL SECTION



FIXING DETAIL PLAN