

**Design Statement** This unique wheelchair accessible drinking fountain is a sculptural installation within any urban setting. Made up entirely of fold pressed stainless steel, the fountain is low maintenance and robust.

**Style** Custom designed accessible drinking fountain

**Materials** 6mm folded plate 304 2B stainless steel  
Stainless steel bubbler mechanism.

**Finish** Stainless steel - Sandblasted, pickled & polished

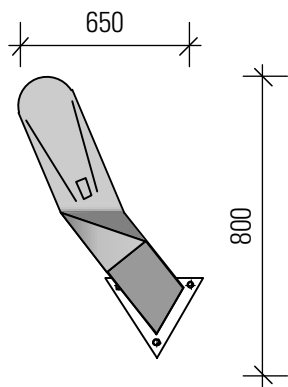
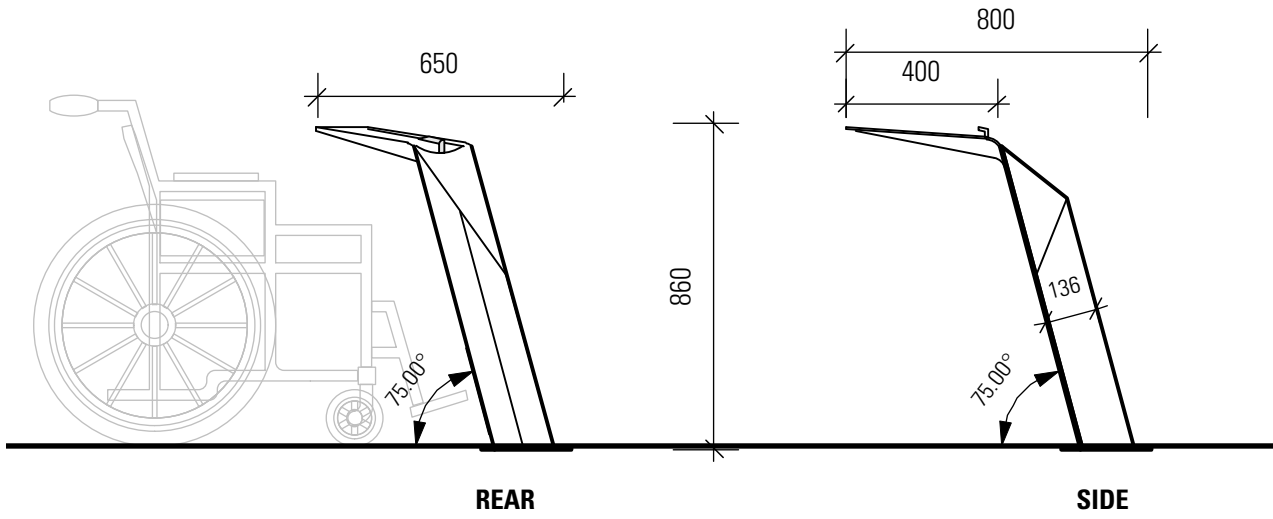
**Installation** In-ground rag bolt assembly as per associated details on footing to Engineers detail.  
Connections to mains water and stormwater to performed by qualified plumber

**Maintenance** Hand or pressure clean as required.  
Components to be replaced if damaged.  
Graffiti removal by pressure clean or with non-toxic product such as Graffiti Removal Systems.

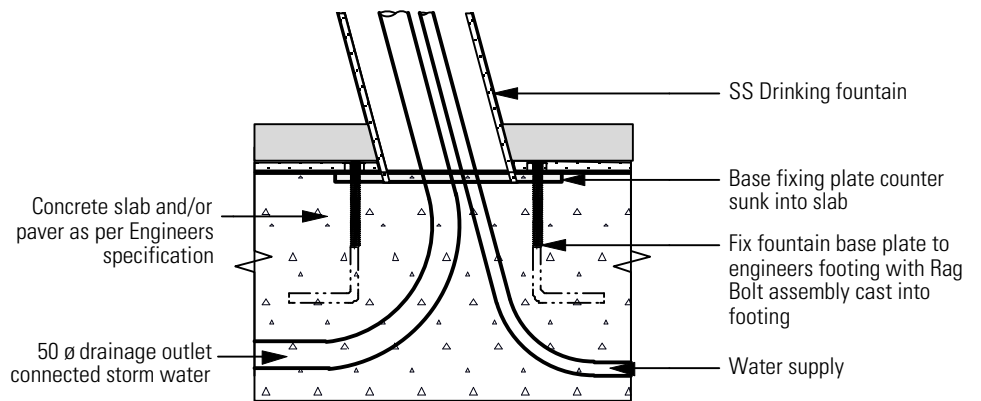
**Frequency** Periodically (6 Monthly)

**Recommended Use** Recommended to be used in all general urban areas throughout Ringwood, including urban plazas and streetscapes.

**Supplier** Maroondah City Council



**DETAIL PLAN**



**FIXING DETAIL SECTION**