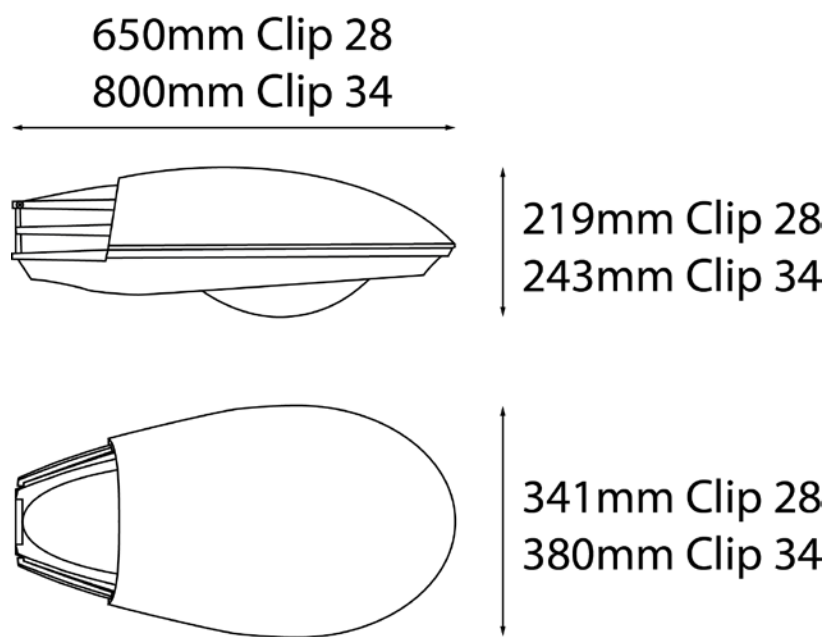




<b>Design Statement</b>	This light fitting is a commonly used, widely available, low maintenance light fixture suitable in all urban roads. It is a VicRoads and SP Ausnet approved fitting.
<b>Style</b>	Standard aluminium housing with metal halide lamp
<b>Materials</b>	Die cast aluminium housing. Metal halide lamp - wattage to be confirmed by Engineer
<b>Finish</b>	Housing to be powdercoated in Dulux ' Anotec XT Dark Grey' 51275 Matt.
<b>Installation</b>	Clip installation to manufacturers specification. Installation of all electrical items to be performed by a licensed electrician and shall be accompanied with an electrician's certificate upon completion of installation. Placement and design to comply with AS 1158 - Lighting of Roads and Public Spaces.
<b>Maintenance</b>	Removable gear tray contains all electrical components, easily removable and interchangeable. Lamp is directly accessible after opening lid.
<b>Frequency</b>	Replace light fitting as required
<b>Recommended Use</b>	Recommended to be used in all areas throughout Ringwood MAC where road lighting is required
<b>Supplier</b>	'Clip 34' by Sylvania Lighting Australiasia Pty Ltd or approved equivalent
<b>Note</b>	Compact Flurescent and LED fittings to be investigated considered for future use



## LUMINAIRE DETAIL