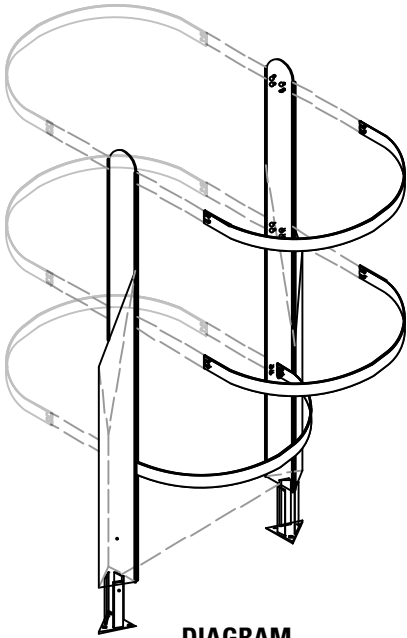
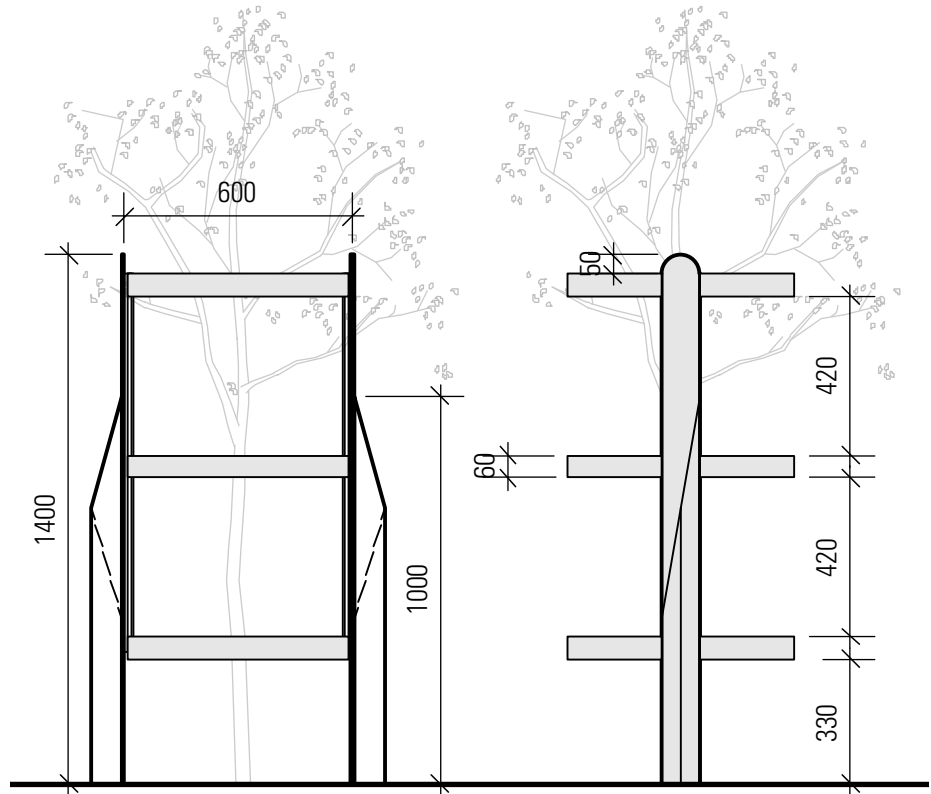




<b>Design Statement</b>	This custom designed tree guard is simple to install and low maintenance. The stainless steel post and rings provide robust protection for newly planted trees in high trafficable urban areas.
<b>Style</b>	Custom designed urban tree guard
<b>Materials</b>	4-6mm folded plate 304 2B stainless steel
<b>Finish</b>	Stainless steel - Sandblasted, pickled & polished
<b>Installation</b>	Bolt down as per associated details on footing to Engineers detail. Place tree guard rings into place over threaded rod and fix with dome nut.
<b>Maintenance</b>	Hand or pressure clean as required. Components to be replaced if damaged. Graffiti removal by pressure clean or with non-toxic product such as Graffiti Removal Systems.
<b>Frequency</b>	Infrequently (Annually)
<b>Recommended Use</b>	Recommended to be used in high traffic urban areas where new tree planting may be susceptible to damage.
<b>Supplier</b>	Maroondah City Council

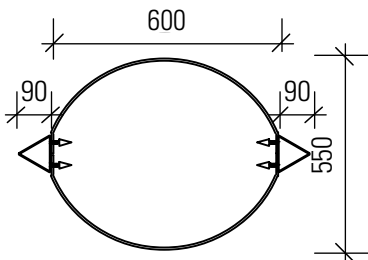


**DIAGRAM**

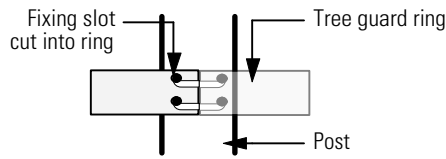


**FRONT**

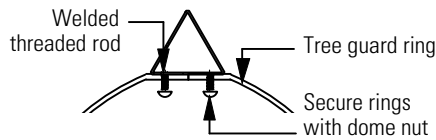
**SIDE**



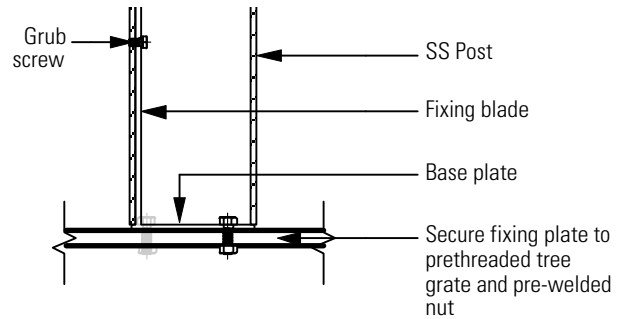
**PLAN**



**CONNECTION ELEVATION**



**CONNECTION PLAN**

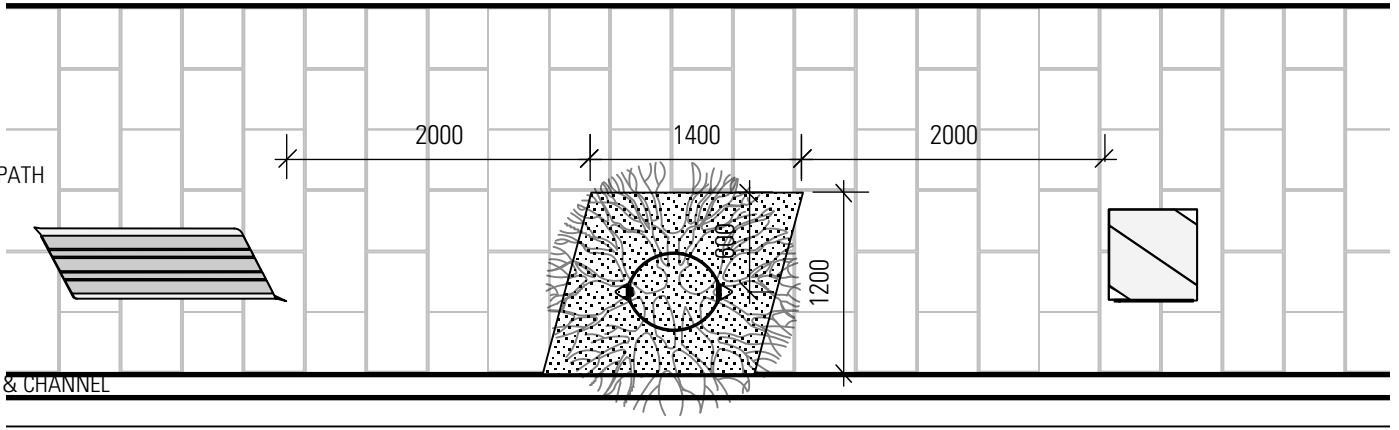


**BASE PLATE ELEVATION  
FIXING DETAIL SECTION**

BUILDING LINE

FOOTPATH

KERB & CHANNEL



**SEAT**

**TREE**

**BIN**