

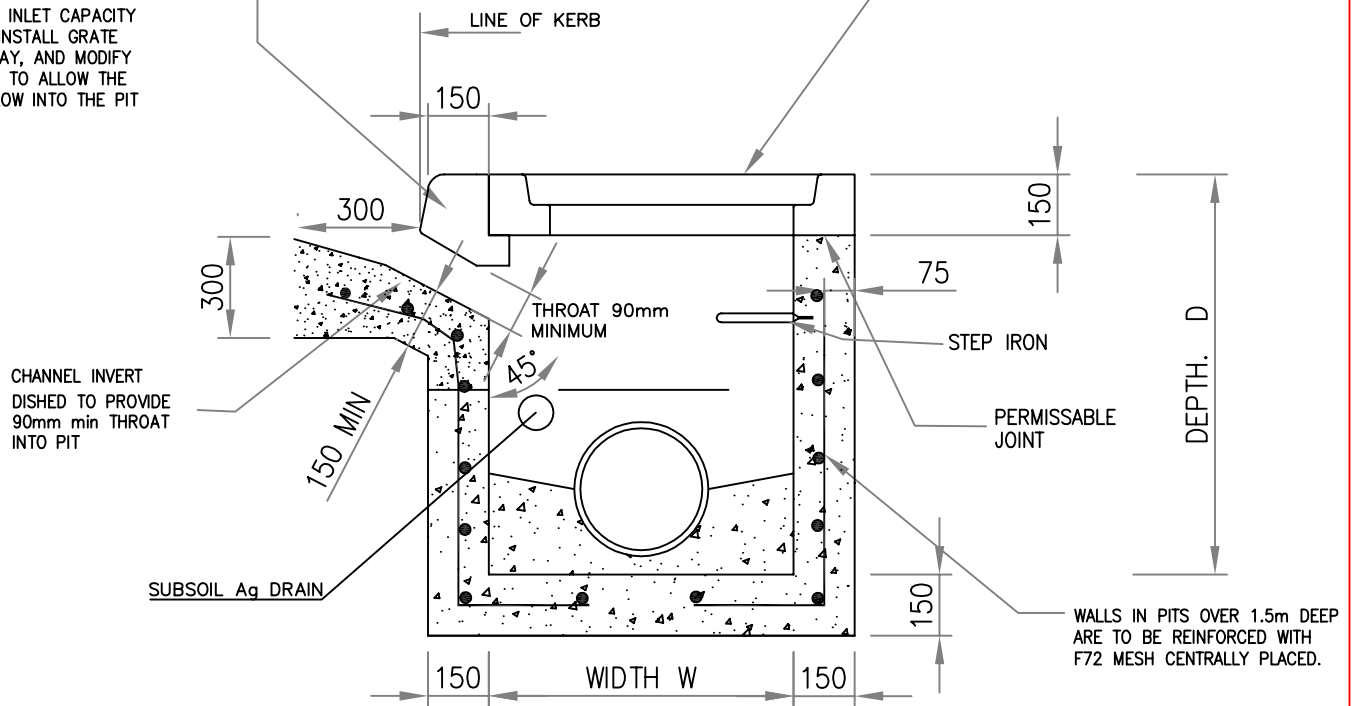
**NOTES:**

- ALL DIMENSIONS ARE IN mm UNLESS OTHERWISE SPECIFIED
- STEP IRONS TO BE USED WHERE PIT DEPTH EXCEEDS 1000mm (SEE SD-D09)
- REFER TO TABLE SD-D01 2 OF 2 FOR PIT WIDTHS
- TO BE USED WHERE STORMWATER DRAINAGE PIPE IS WITHIN NATURE STRIP
- IF ADDITIONAL INLET CAPACITY IS REQUIRED, INSTALL GRATE WITHIN ROADWAY, AND MODIFY MOUTH OF PIT TO ALLOW THE ADDITIONAL FLOW INTO THE PIT

1200 LONG STANDARD PRECAST KERB LINTEL, TYPE 1 (REFER TO SD-D10, TO SUIT KERB & CHANNEL PROFILE)

FIBREGLASS PIT LID (SD-D07) TO BE FITTED (DIMENSIONS TO SUIT)

**PLAN**



**SECTION A-A**



TITLE:  
**SIDE ENTRY PIT-TYPE 1**  
**DRAIN WITHIN NATURE STRIP**

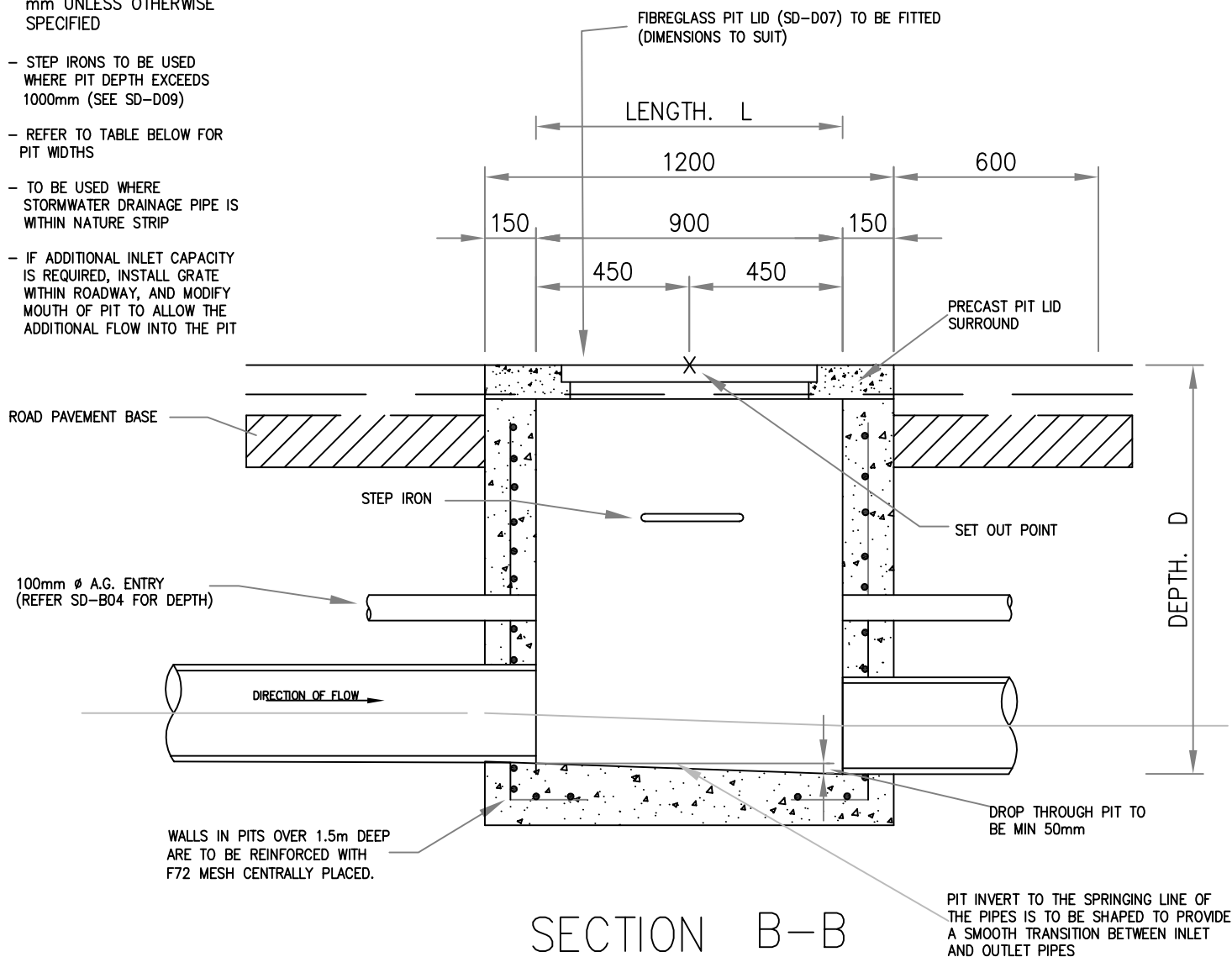
APPROVED: A.TAYLOR  
 REV | D |  
 DATE: OCTOBER 2011  
 DRAWING No.:  
**SD-D01**  
 SHEET : 1 of 2

DESIGNED: D. RUFFLE | CHECKED: D. HAIR

For Further Enquiries Contact Maroondah's Engineering and Infrastructure Department on 9298 4292

NOTES:

- ALL DIMENSIONS ARE IN mm UNLESS OTHERWISE SPECIFIED
- STEP IRONS TO BE USED WHERE PIT DEPTH EXCEEDS 1000mm (SEE SD-D09)
- REFER TO TABLE BELOW FOR PIT WIDTHS
- TO BE USED WHERE STORMWATER DRAINAGE PIPE IS WITHIN NATURE STRIP
- IF ADDITIONAL INLET CAPACITY IS REQUIRED, INSTALL GRATE WITHIN ROADWAY, AND MODIFY MOUTH OF PIT TO ALLOW THE ADDITIONAL FLOW INTO THE PIT



SECTION B-B

S.E. PIT INTERNAL DIMENSIONS					
PIPE DATA	D	L	W	STEP IRON	PIT COVER SIZE
UP TO 600mm DIA	< 600	900	750	NO	TO SUIT
	600 - 1000	900	750	NO	TO SUIT
	1000 - 1500	900	750	YES	TO SUIT
	> 1500	900	900	YES	TO SUIT
GREATER THAN 600mm DIA	< 1000	900	DIA + 150	NO	TO SUIT
	1000 - 1500	900	DIA + 150	YES	TO SUIT
	> 1500	900	DIA + 300	YES	TO SUIT

NOTE: - 3.0m DEPTH OF PIT MAX  
 - > 3.0m DEPTH MUST BE DESIGNED TO MEET STRUCTURAL & OH&S REQUIREMENTS



TITLE:  
**SIDE ENTRY PIT-TYPE 1**  
**DRAIN WITHIN NATURE STRIP**

APPROVED: A.TAYLOR  
 REV D  
 DATE: OCTOBER 2011  
 DRAWING No.:  
**SD-D01**  
 SHEET : 2 of 2