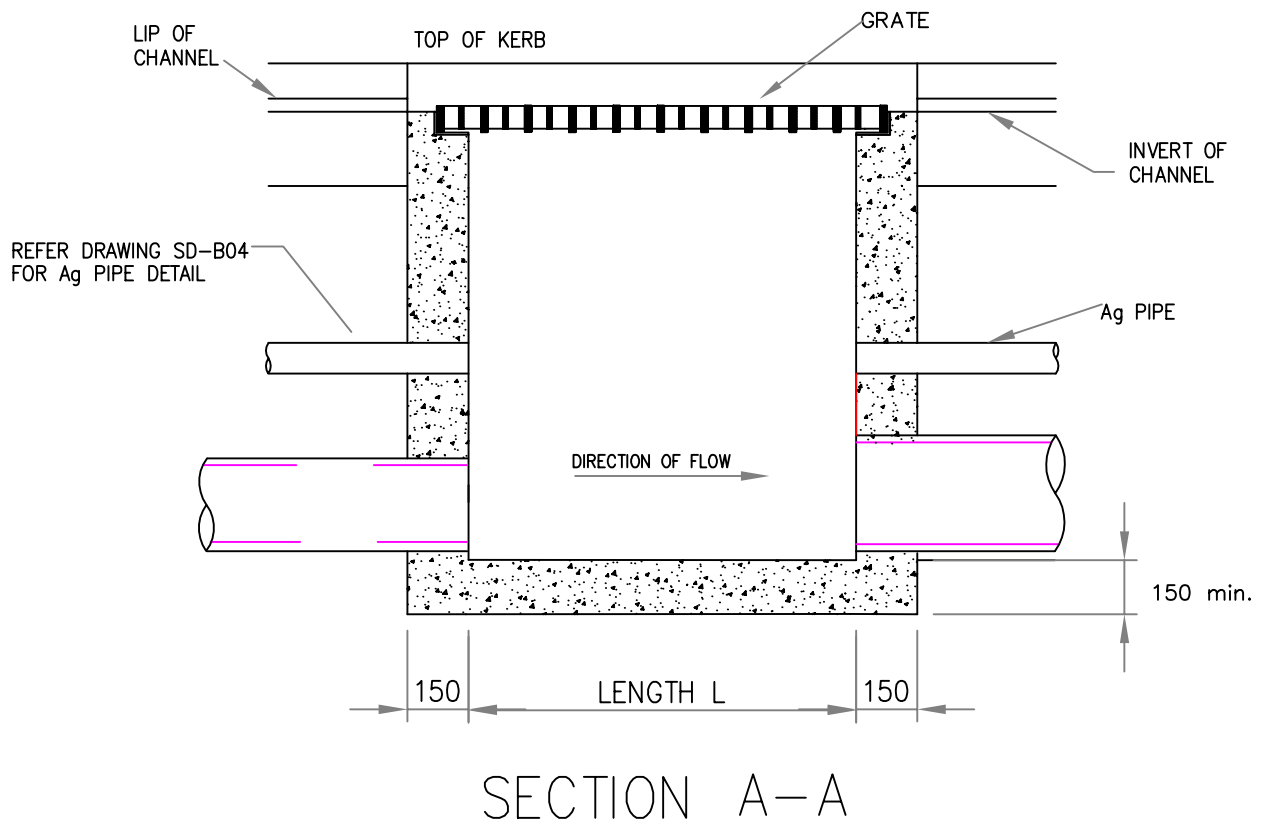
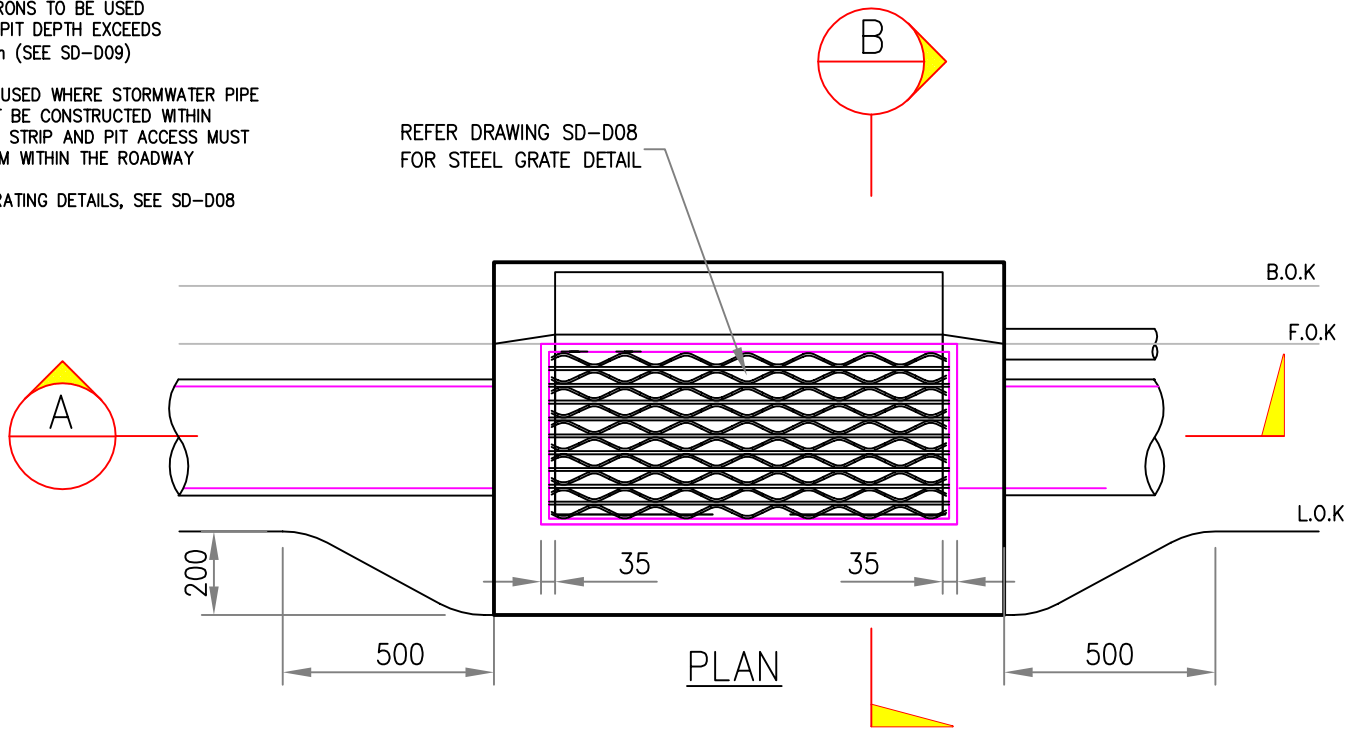


NOTES:

- ALL DIMENSIONS ARE IN mm UNLESS OTHERWISE SPECIFIED
- STEP IRONS TO BE USED WHERE PIT DEPTH EXCEEDS 1000mm (SEE SD-D09)
- TO BE USED WHERE STORMWATER PIPE CANNOT BE CONSTRUCTED WITHIN NATURE STRIP AND PIT ACCESS MUST BE FROM WITHIN THE ROADWAY
- FOR GRATING DETAILS, SEE SD-D08

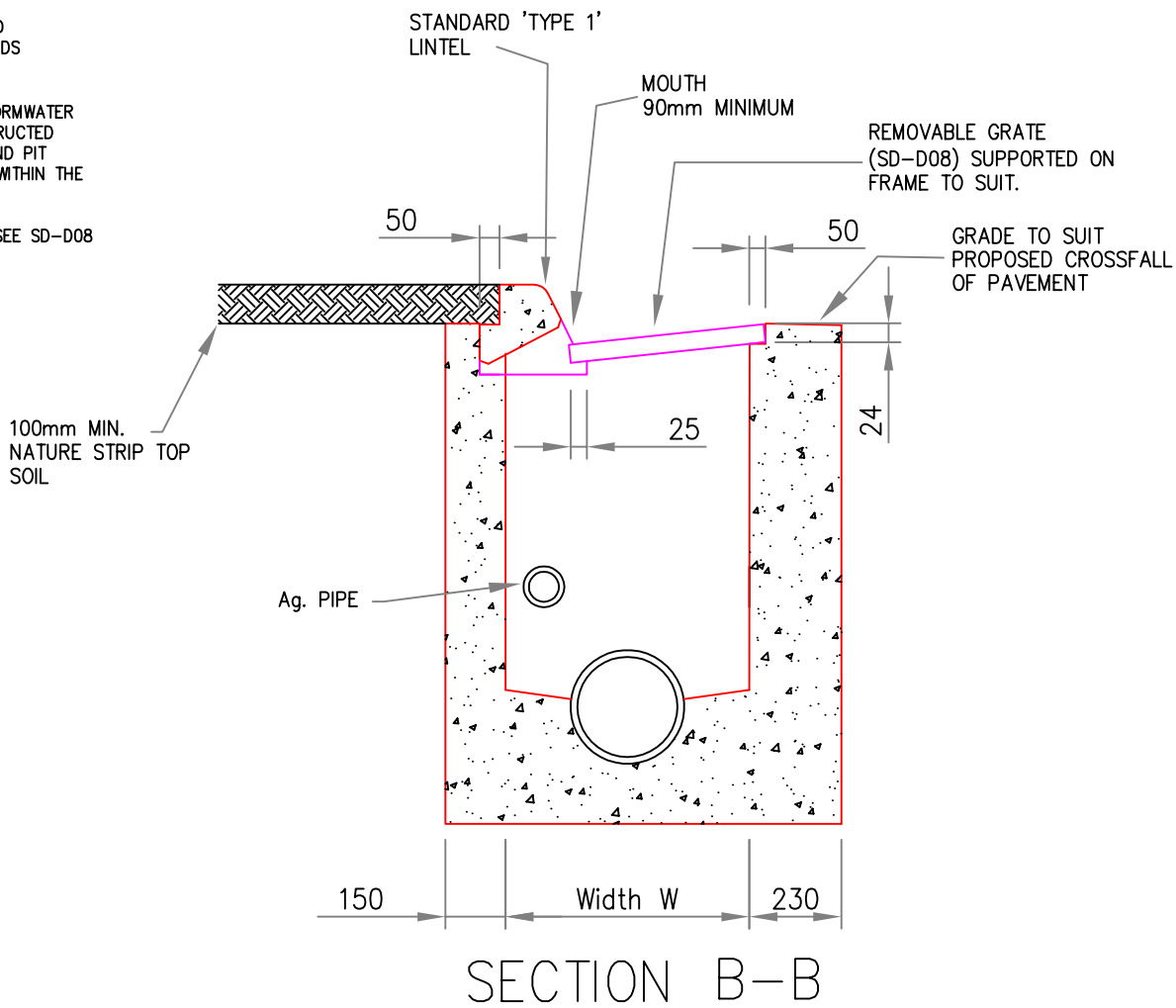


TITLE:
SIDE ENTRY PIT-TYPE 3
GRATED, DRAIN WITHIN
ROADWAY

APPROVED: A.TAYLOR
REV D
DATE: OCTOBER 2011
DRAWING No.:
SD-D03
SHEET : 1 of 2

NOTES:

- ALL DIMENSIONS ARE IN mm UNLESS OTHERWISE SPECIFIED
- STEP IRONS TO BE USED WHERE PIT DEPTH EXCEEDS 1000mm (SEE SD-D09)
- TO BE USED WHERE STORMWATER PIPE CANNOT BE CONSTRUCTED WITHIN NATURE STRIP AND PIT ACCESS MUST BE FROM WITHIN THE ROADWAY
- FOR GRATING DETAILS, SEE SD-D08



PIPE DATA	INTERNAL DIMENSIONS - OF PIT			STEP IRON	PIT COVER SIZE
	D	L	W		
UP TO 600mm DIA	< 600	900	750	NO	TO SUIT
	600 - 1000	900	750	NO	TO SUIT
	1000 - 1500	900	750	YES	TO SUIT
	> 1500	900	900	YES	TO SUIT
GREATER THAN 600mm DIA	< 1000	900	DIA + 150	NO	TO SUIT
	1000 - 1500	900	DIA + 150	YES	TO SUIT
	> 1500	900	DIA + 300	YES	TO SUIT

NOTE: - 3.0m DEPTH OF PIT MAX
 - > 3.0m DEPTH MUST BE DESIGNED TO MEET STRUCTURAL & OH&S REQUIREMENTS



TITLE:
SIDE ENTRY PIT-TYPE 3
GRATED, DRAIN WITHIN
ROADWAY

APPROVED: A.TAYLOR
 REV | D |
 DATE: OCTOBER 2011
 DRAWING No.:
SD-D03
 SHEET : 2 of 2