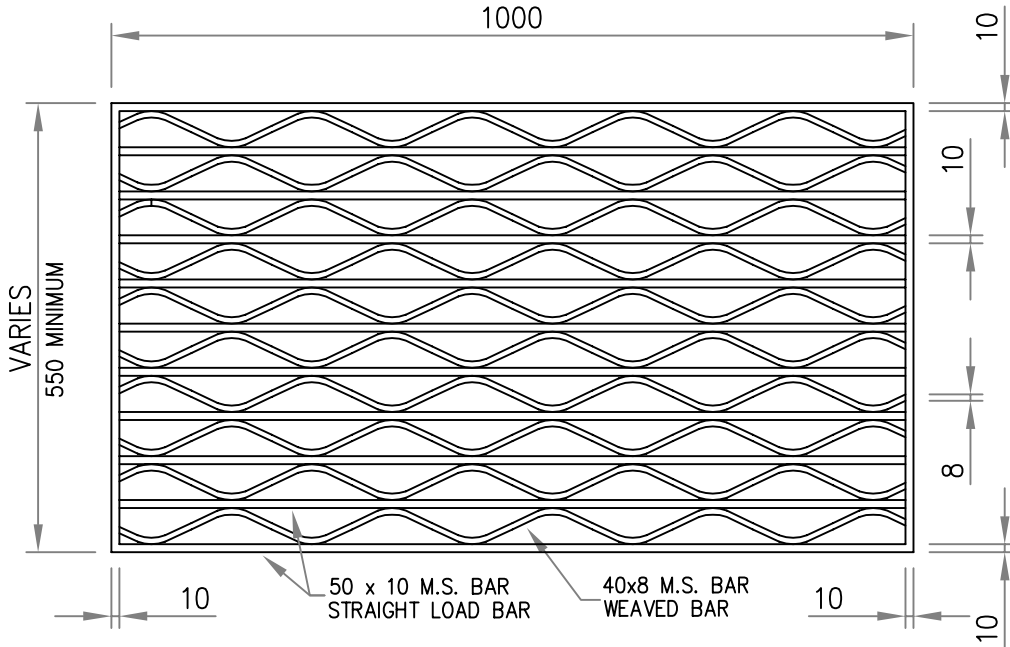


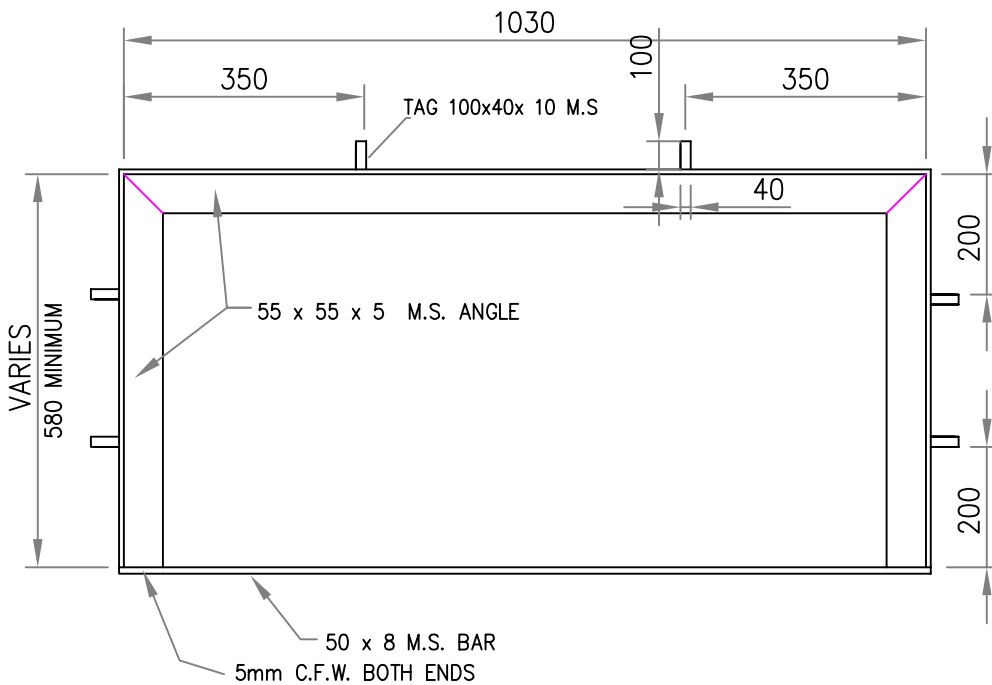
GRATE CROSS-SECTION



GRATE PLAN

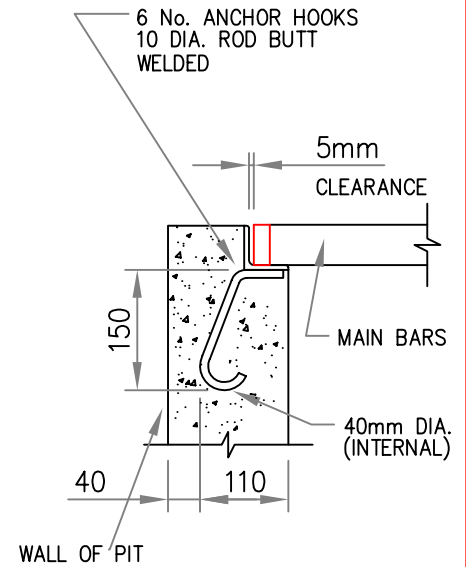
NOTES:

- ALL GRATES WITHIN ROAD RESERVE TO BE BIKE FRIENDLY, TO APPENDIX D OF AUSTRALIAN STANDARD SD 3996
- SIZING OF GRATE TO COMPLY WITH STANDARD DRAWING OR AS AGREED WITH COUNCILS ENGINEERING & INFRASTRUCTURE DEPARTMENT
- ALL DIMENSIONS IN mm



SUPPORT FRAME

TO SUIT APPROPRIATE GRATE DIMENSIONS



SEATING DETAIL



TITLE:

STEEL GRATE
AND SURROUND

APPROVED: A.TAYLOR

REV D

DATE: OCTOBER 2011

DRAWING No.:

SD-D08

SHEET : 1 of 1

DESIGNED: D. RUFFLE CHECKED: D. HAIR

For Further Enquiries Contact Maroondah's Engineering and Infrastructure Department on 9298 4292