

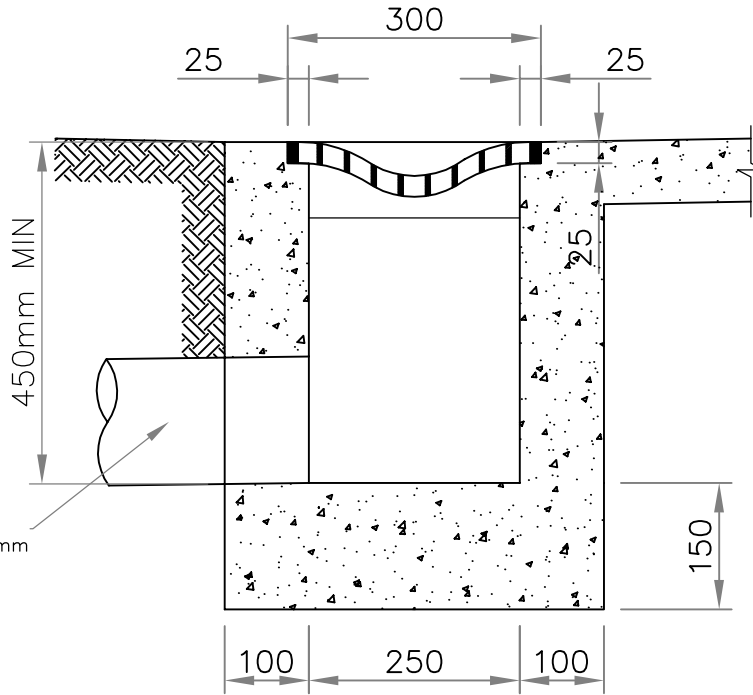
**NOTE:**

1. THIS STANDARD IS TO BE USED IN CONJUNCTION WITH COUNCIL STANDARD SD-F01

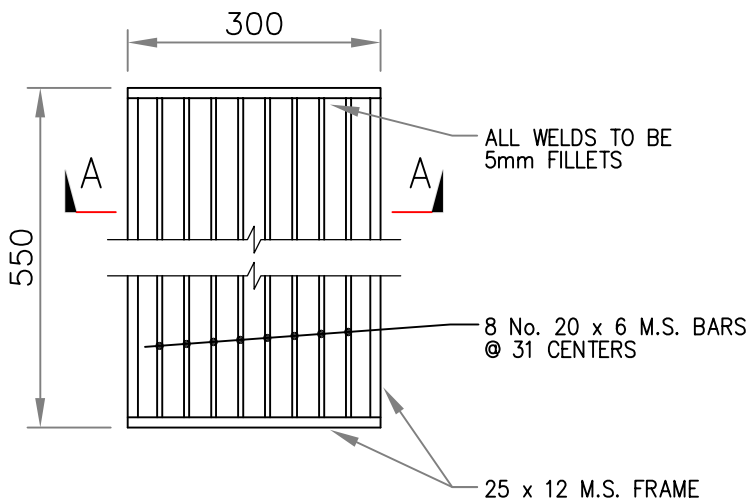
2. PITS TO BE CONSTRUCTED AT 30m INTERVALS WHERE FOOTPATH SPOON DRAINS ARE LAID.

3. ALL DIMENSIONS IN MILLIMETRES UNLESS OTHERWISE STATED

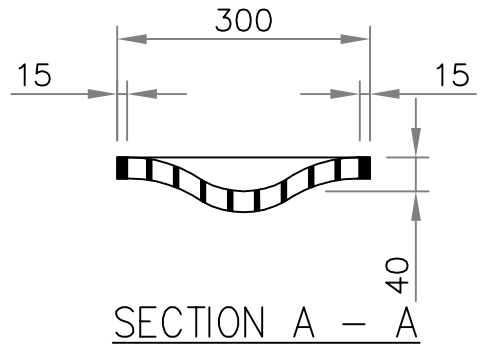
DISCHARGE TO EXISTING COUNCIL DRAINS VIA 150mm Ø PVC PIPES.



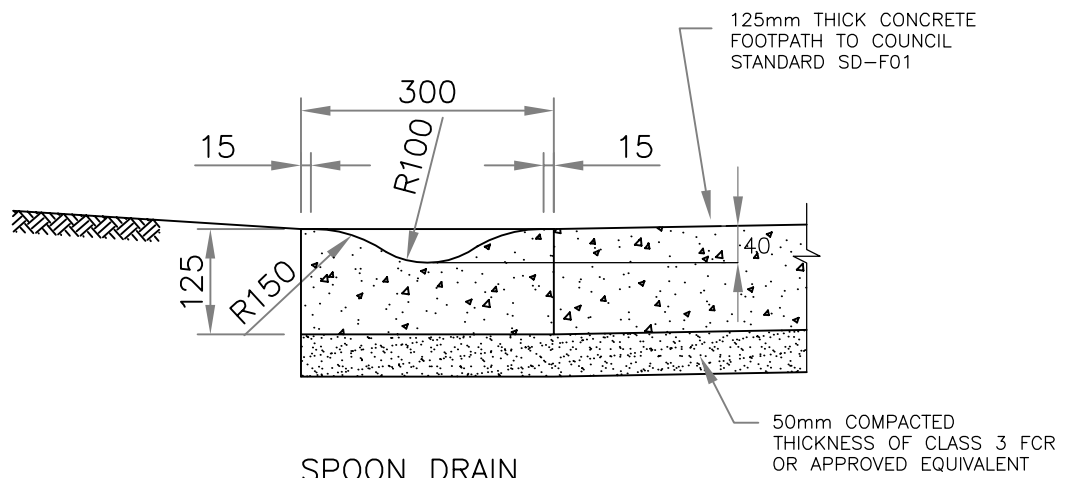
GRATING PIT (300 x 300)



GRATING DETAIL



SECTION A - A



SPOON DRAIN



TITLE:  
**FOOTPATH GRATING  
PIT & SPOON DRAIN**

DATE: JANUARY 2013  
DRAWING No.:  
**SD-F02**