

30mm DEEP x 1000mm WIDE CHASE AROUND RAISED PAVEMENT IN EXISTING WEARING COARSE TO ALLOW FEATHERING OF NEW ASPHALT TO EXISTING

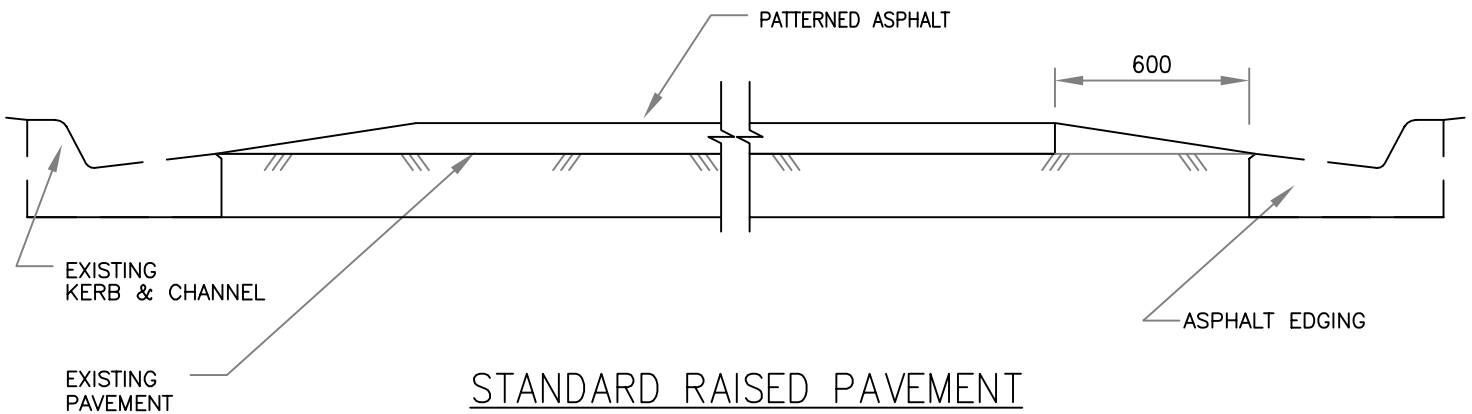
WHITE PAVEMENT REFLECTORS AT EQUAL SPACING TO MATCH MAJOR PIANO KEYS

WHITE THERMOPLASTIC MARKINGS, SIMILAR TO ROAD HUMPS, WITH GLASS BEADS. LINEMARKING REFER TO SD-G04C.

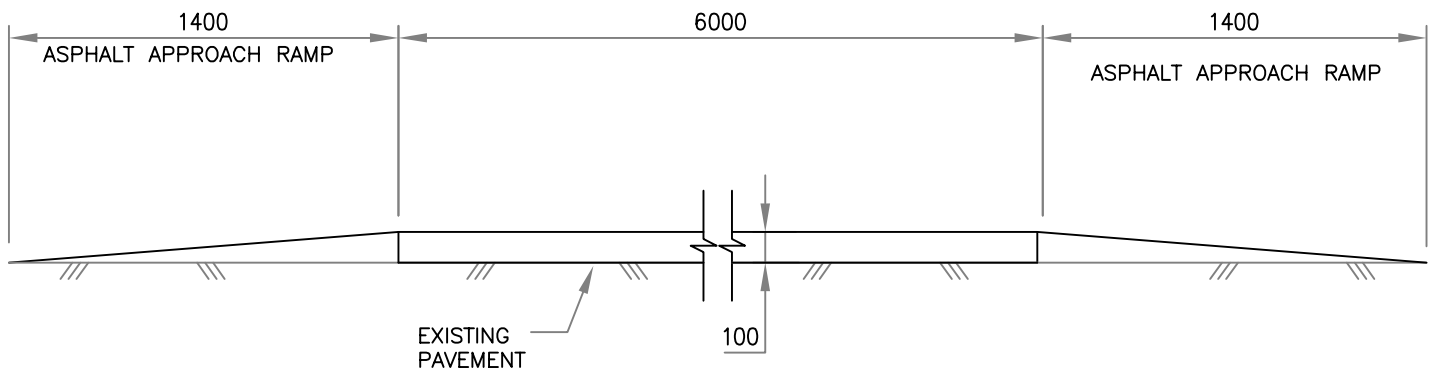
**PLAN**

NOTE :- FOR SIGNAGE DETAILS REFER TO SD-G06

- ASPHALT 10mm TYPE N or H
- ALL DIMENSIONS IN mm



**STANDARD RAISED PAVEMENT**



TITLE:  
**TYPE A- HIGH VOLUME ROAD  
 RAISED PAVEMENT  
 STANDARD DETAILS**

APPROVED: A.TAYLOR  
 REV | D |  
 DATE: OCTOBER 2011  
 DRAWING No.:  
**SD-G04A**  
 SHEET : 1 of 1