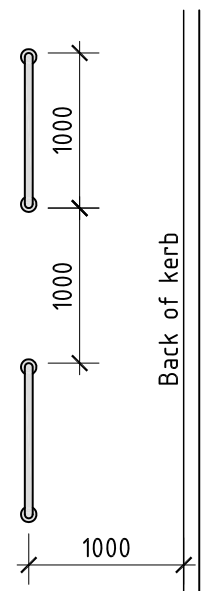
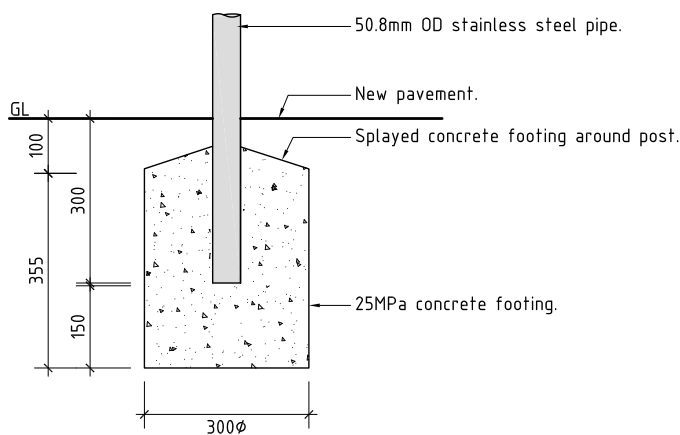
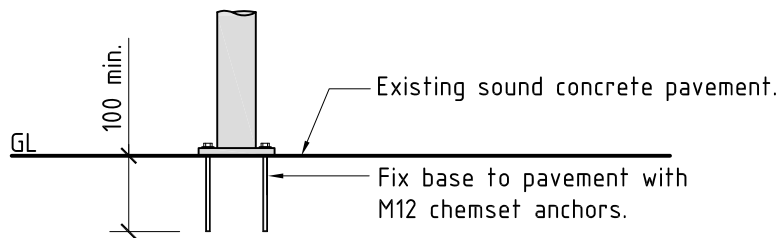
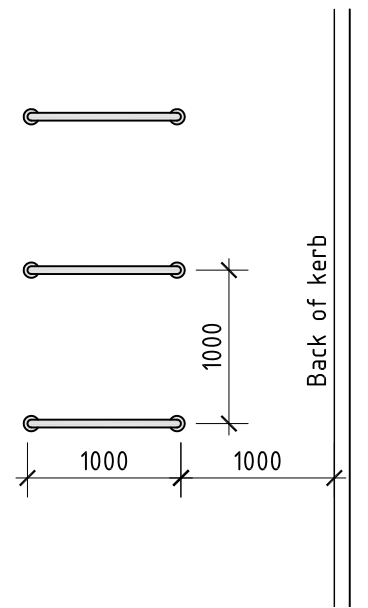
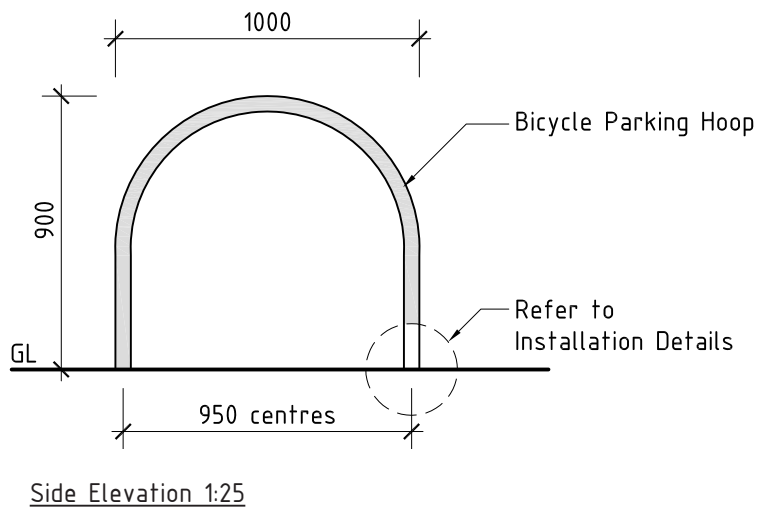




Suitable Locations	<ul style="list-style-type: none">▪ Activity Centres & Streetscapes▪ Significant Parks & Gardens▪ Informal Parks & Community Recreation Reserves▪ Sporting Reserves
Common Location	<ul style="list-style-type: none">▪ Shopping Strips, Community Facilities.
Dimensions	<ul style="list-style-type: none">▪ 1000x900mm above ground.
Material	<ul style="list-style-type: none">▪ Grade 304 polished stainless steel tube 50.8mm OD.
Installation	<ul style="list-style-type: none">▪ In-ground: Encase steel pipe sleeve in concrete footing. Ensure sleeves are set plumb. This method is preferable for proposed pavement areas.▪ Bolt-Down: Fix to concrete pavement with M12 chemset anchors at each fixing points. Tack weld bolts discretely as required to increase theft and vandalism resistance. This method is preferable where there is an existing sound concrete pavement.
Maintenance	<ul style="list-style-type: none">▪ Clean as required.
Product & Supplier	<ul style="list-style-type: none">▪ Single Bike Rack GOV 102S by Furphy Foundry/ Urban Design Group.▪ Other alternative suppliers are available.

1.1 Bicycle Parking Hoop

Detail

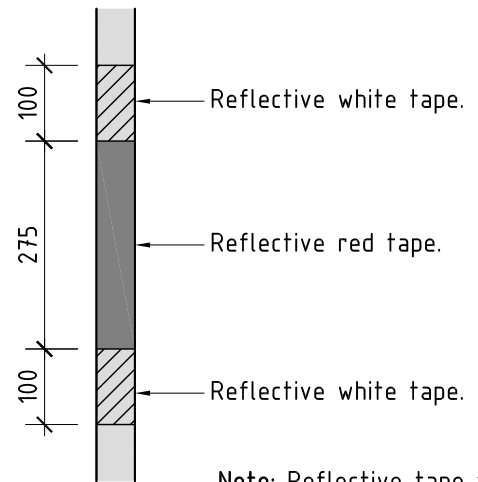
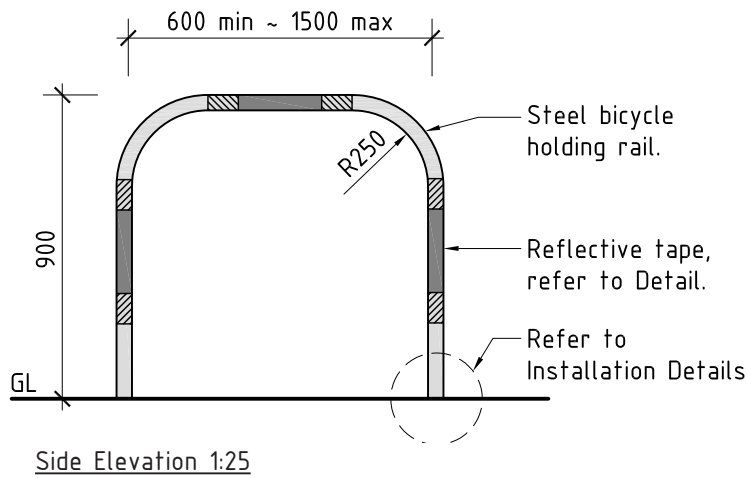




Suitable Locations	<ul style="list-style-type: none">▪ Activity Centres & Streetscapes▪ Significant Parks & Gardens▪ Informal Parks & Community Recreation Reserves▪ Sporting Reserves
Common Location	<ul style="list-style-type: none">▪ Kalinda Road & Mullum Mullum Creek Trail
Dimensions	<ul style="list-style-type: none">▪ 600~1500x1000mm above ground.
Material	<ul style="list-style-type: none">▪ White powdercoated steel tube 50.8mm OD.
Installation	<ul style="list-style-type: none">▪ In-ground: Encase steel pipe sleeve in concrete footing. Ensure sleeves are set plumb. This method is preferable for proposed pavement, grass and garden bed areas.▪ Bolt-down: Fix to concrete pavement with M12 chemset anchors at each fixing points. Tack weld bolts discretely as required to increase theft and vandalism resistance. This method is preferable where there is an existing sound concrete pavement.
Maintenance	<ul style="list-style-type: none">▪ Clean as required.
Product & Supplier	<ul style="list-style-type: none">▪ By DeNeeffe Signs, Road Management Solutions.

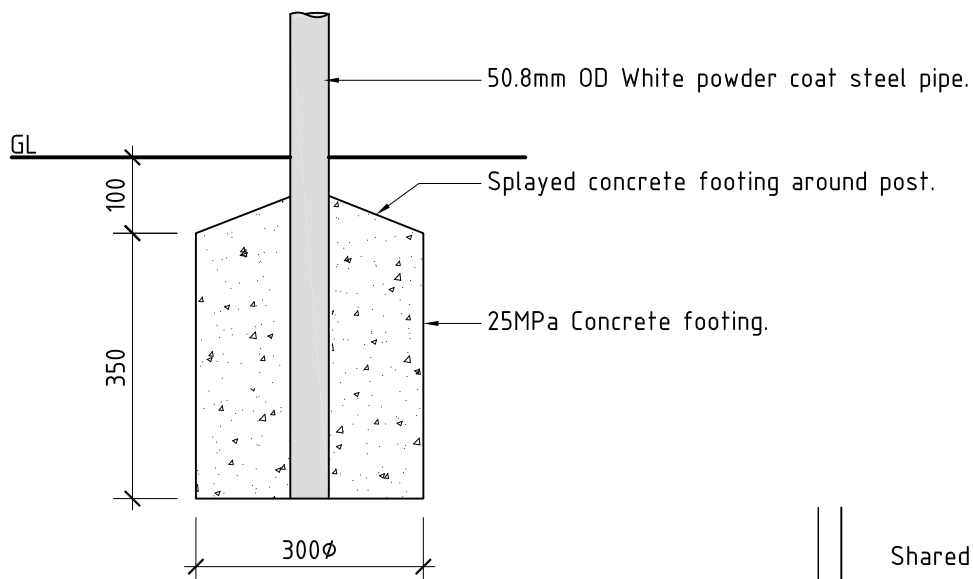
1.2 Bicycle Holding Rail

Detail

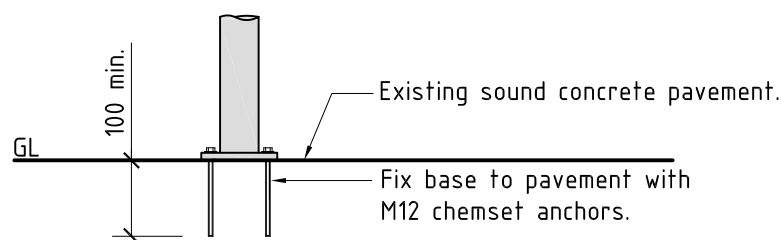


Note: Reflective tape to be Class 1 (AS1906.1) unless local regulations

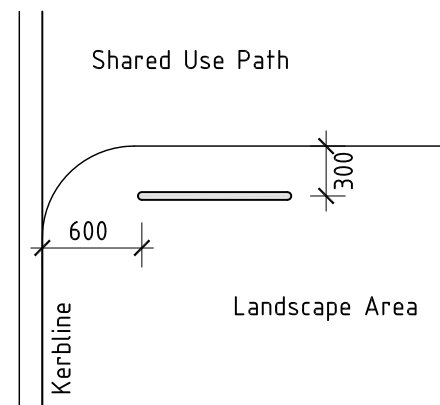
Reflective Tape Detail - 1:10



Installation Detail (In-Ground) - Section 1:10



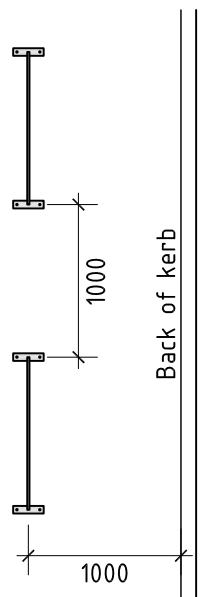
Installation Detail (Bolt-Down) - Section 1:10



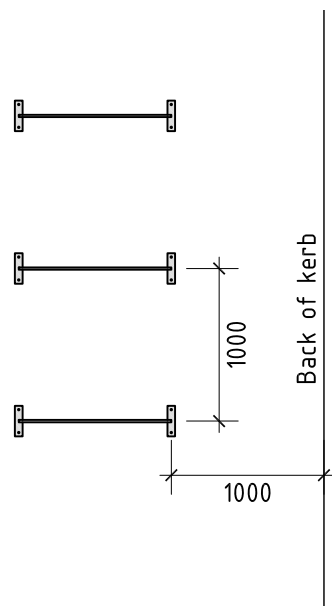
Plan - 1:50



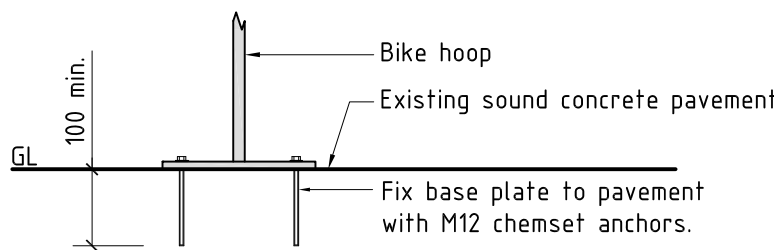
Suitable Locations	<ul style="list-style-type: none">▪ Civic facilities▪ Special sites
Common Locations	<ul style="list-style-type: none">▪ Maroondah Federation Estate▪ Croydon X Space
Dimensions	<ul style="list-style-type: none">▪ 1000x770mm above ground.
Material	<ul style="list-style-type: none">▪ 10mm mild steel with zinc primer and silver powder coat.
Installation	<ul style="list-style-type: none">▪ Fix to concrete pavement with M12 chemset anchors at each fixing points. Tack weld bolts discretely as required to increase theft and vandalism resistance.
Maintenance	<ul style="list-style-type: none">▪ Clean as required.
Product & Supplier	<ul style="list-style-type: none">▪ Bike Chain Style Bike Hoop by Alltek Welding.



Plan (In-line Double) - 1:50



Plan (Parallel Double) - 1:50



Installation Detail (Bolt-down) - Section 1:10