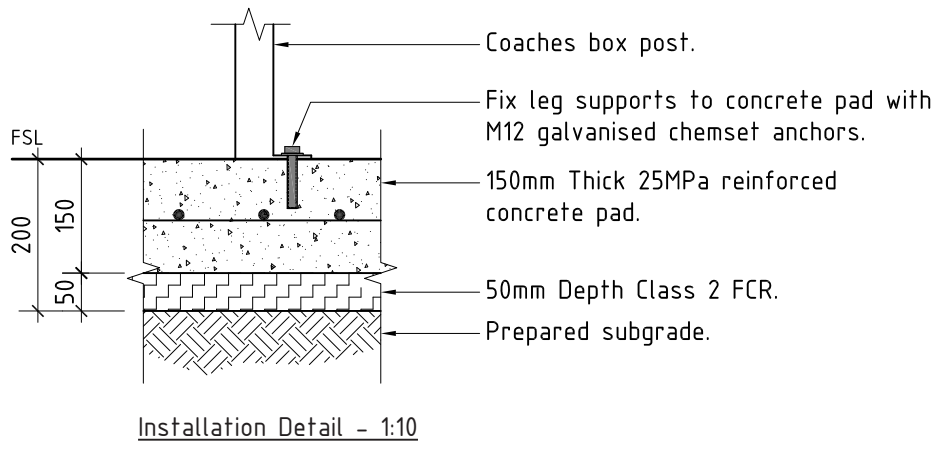
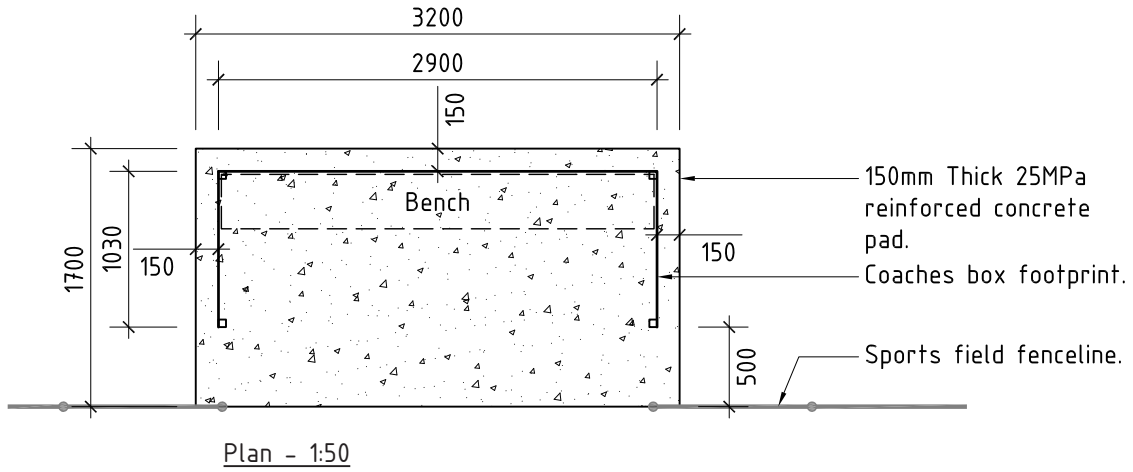




Suitable Locations	▪ Sporting Reserves
Common Locations	▪ Glen Park & Fred Geale Ovals
Dimensions	▪ 1600x3200x2540 approx. (above ground).
Material	<ul style="list-style-type: none"> ▪ 150mm Thick 25MPa concrete pad. ▪ Steel shelter with Colorbond roof (green). Steel slat bench is 475mm above concrete pad.
Installation	<ul style="list-style-type: none"> ▪ Install concrete pad as shown in Installation Detail. ▪ Attach base plates of shelter onto concrete pad with M12 chemset anchors. Tack weld fixings discretely as required to increase theft and vandalism resistance. ▪ Anti-graffiti coating can be applied, refer to 10.1 Anti Graffiti.
Maintenance	▪ Clean as required.
Product & Supplier	▪ BSH-104 Coach Box by Urban Renewal Street Furniture or Alltek Welding.

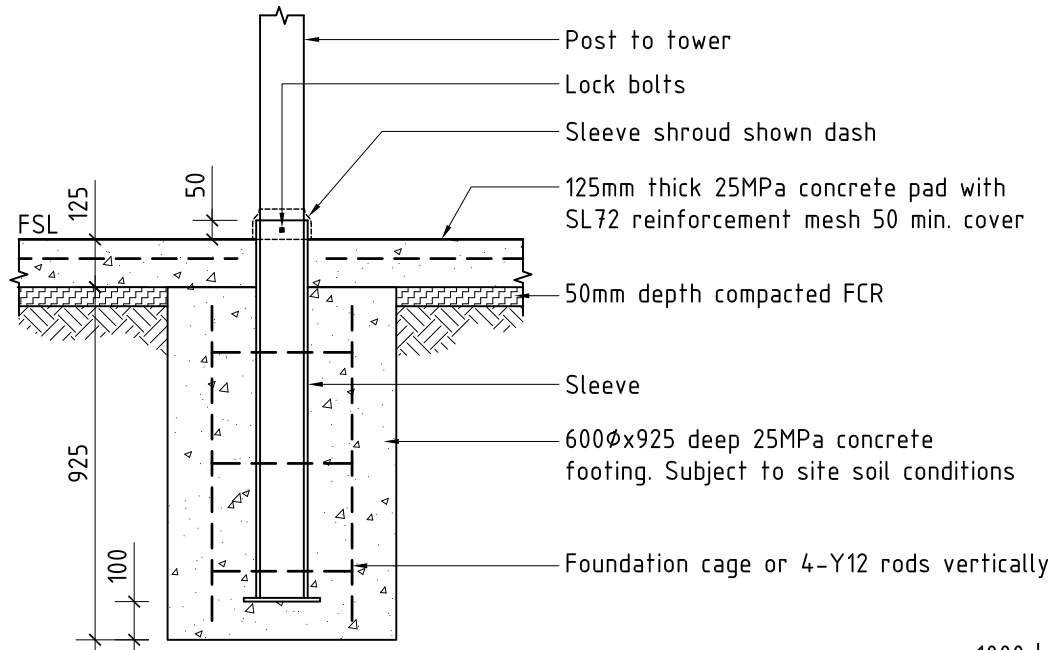




Suitable Locations	<ul style="list-style-type: none"> ▪ Significant Parks & Gardens. ▪ Sporting Reserves
Common Locations	<ul style="list-style-type: none"> ▪ Grayswood Reserve, Evelyn Road Reserve & Ainslie Park.
Dimensions	<ul style="list-style-type: none"> ▪ Ring: 3050mm high above ground. ▪ Backboard: 1800mm wide x 1050mm high. (Standard) ▪ Tower post: 115 dia. with 1.2m/1.8m outreach to backboard depending on run off space. ▪ Concrete pad: 5x10m (Basketball/Netball Tower) or 5x7.5m (Basketball only). Refer to installation details and notes.
Material	<ul style="list-style-type: none"> ▪ Hot dipped galvanised steel tower and sleeve. ▪ Powder coated rings, no net. ▪ Fibreglass backboard (non-standard).
Installation	<ul style="list-style-type: none"> ▪ Encase steel sleeve in concrete footing. Ensure sleeve is set plumb. ▪ Slip ring and sleeves must be fitted prior to attaching tower to sleeve. ▪ Install concrete pad as shown in Installation Detail.
Maintenance	<ul style="list-style-type: none"> ▪ Clean as required.
Product & Supplier	<ul style="list-style-type: none"> ▪ Basketball Tower (24222 with 1.2m/1.8m outreach) by Truline. ▪ Basketball/ Netball Tower (24234 with 1.2m/1.8m outreach) by Truline. ▪ Ground sleeve (24223) by Truline.

17.2 Basketball/ Netball Tower and Pad

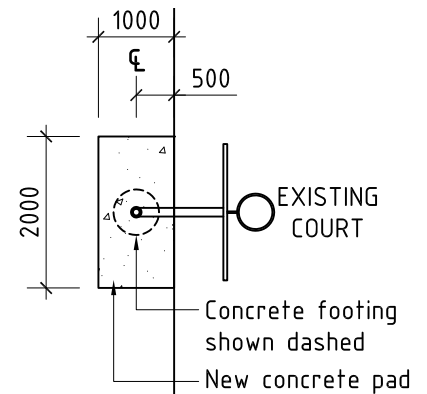
Detail



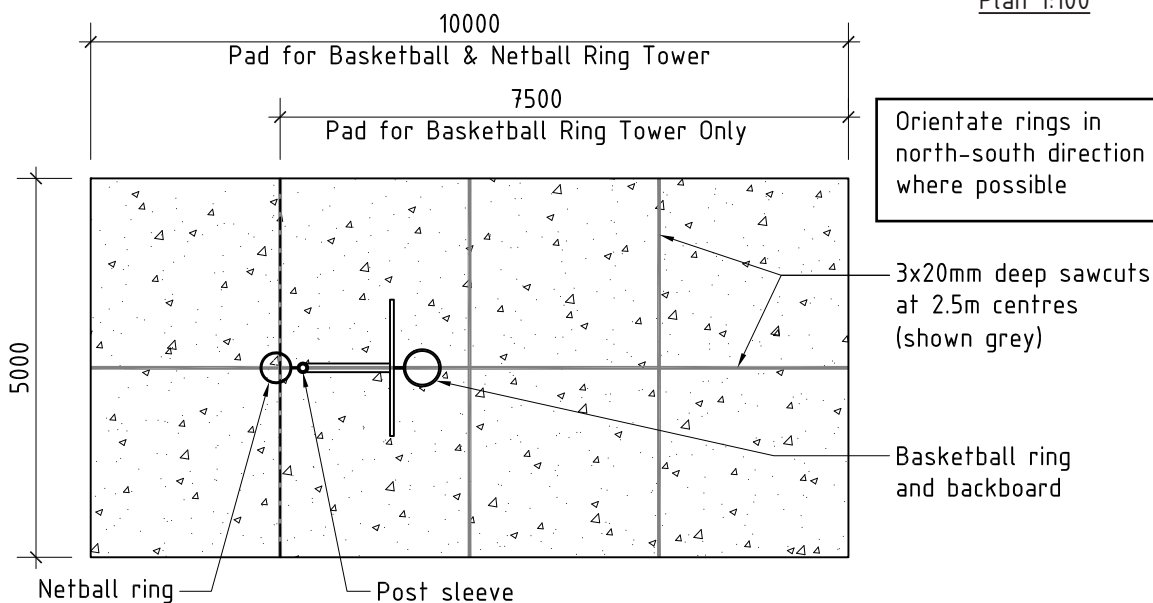
Installation Detail - Section 1:20

Concrete Pad Notes:

- Unless otherwise noted concrete colour for pad construction is to be grey cement. Cement shall comply with AS 1315
- No construction joints are required within pad (sawcuts only). 1:50 cross fall shall be integrated into pad construction.
- Unless otherwise noted, the pad surface is to have a 'broomed' finish.
- N.B. On days of high temperature, measures must be put in place to ensure that the concrete doesn't dry too quickly.



New Tower To Existing Court
Plan 1:100



Concrete Pad - Plan 1:100