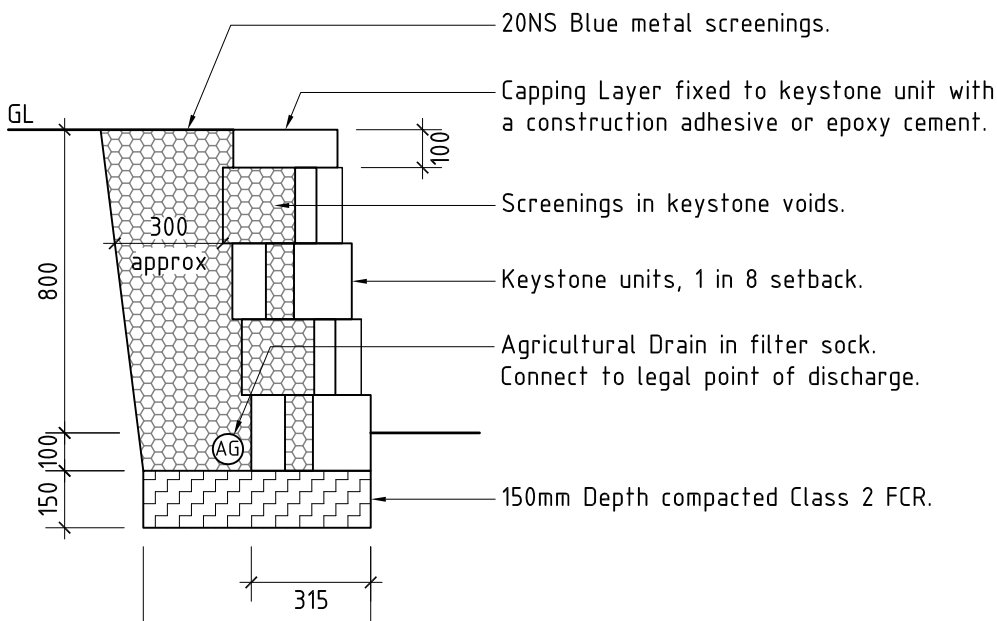
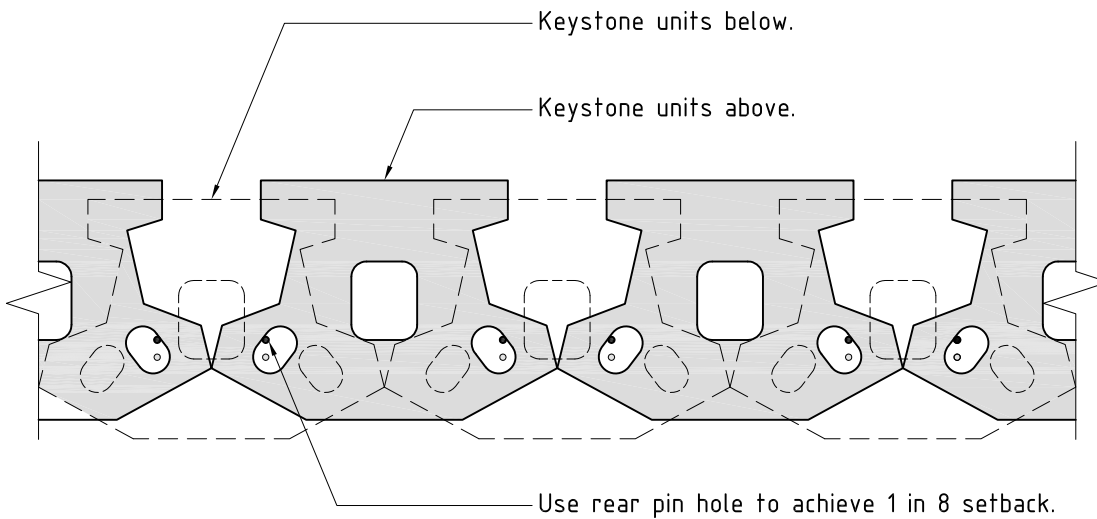




-
- Suitable Locations**
- Significant Parks & Gardens
 - Sporting Reserves
- Common Locations**
- Mullum Mullum Reserve
- Dimensions**
- 800mm max (above ground).
- Material**
- Keystone units and capping layer.
 - 20NS blue metal screenings.
 - Class 2 FCR.
- Installation**
- Actual design of wall should be referred to an Engineer before construction.
 - Create a 600x250mm trench. Fill with 150mm depth compacted Class 2 FCR.
 - Lay first course of units on top of FCR layer. Place connector pins into each unit. Use rear holes to achieve 1 in 8 setback. Install Agricultural Drain in filter sock connected to legal point of discharge behind wall. Place screenings behind each course. Ensure all voids inside and between the units are filled and thoroughly tampered down. Place backfill if required behind drainage zone. Use a layer of filter fabric if the backfill is fine silt or soil. Repeat for additional courses.
 - Lay capping units as for full units. Backfill and compact to required grade. Fix capping units with a construction adhesive or epoxy cement.
- Maintenance**
- Clean as required.
- Product & Supplier**
- Keystone Retaining Wall Systems (Standard Unit and curved cap) by Boral.



Installation Detail - Section 1:20



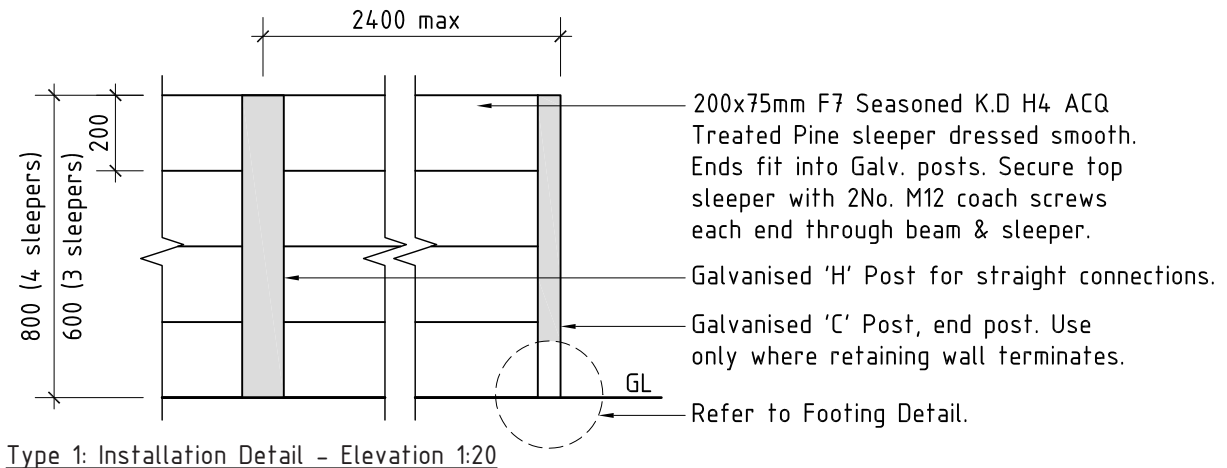
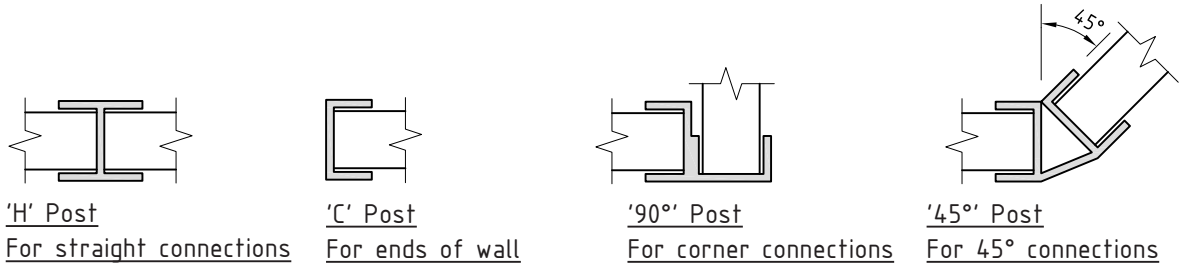
Installation Detail - Plan 1:10



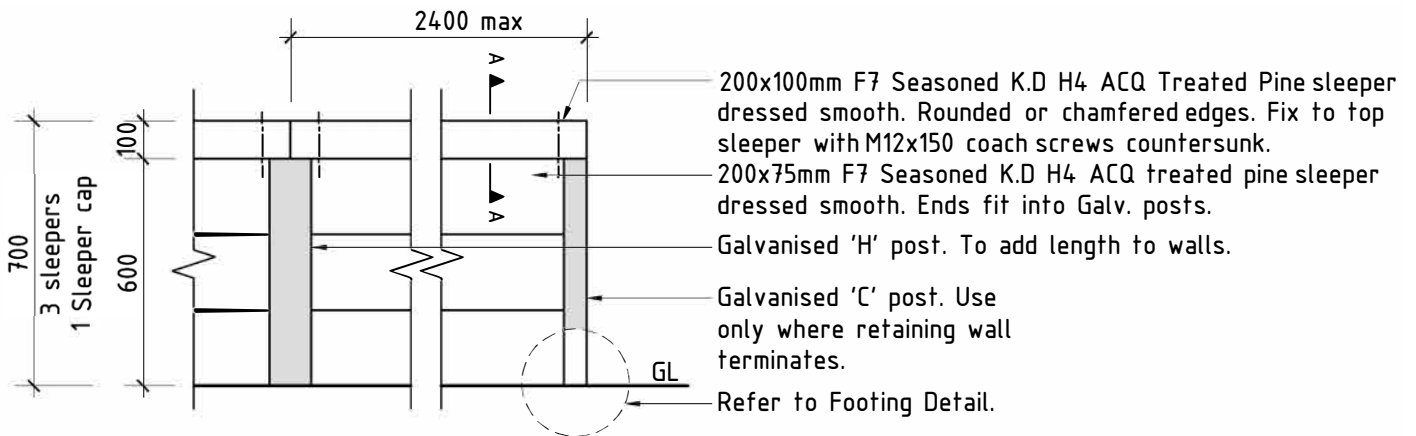
Suitable Locations	<ul style="list-style-type: none"> ▪ Informal Parks & Community Recreation Reserve ▪ Sporting Reserves
Common Locations	<ul style="list-style-type: none"> ▪ Mullum Mullum Reserve
Dimensions	<ul style="list-style-type: none"> ▪ 800mm max above ground.
Material	<ul style="list-style-type: none"> ▪ 200x75x2400 max F7 Seasoned K.D H4 ACQ Treated Pine sleeper dressed smooth. Optional concrete sleepers. ▪ 200x100x2400 max F7 Seasoned K.D H4 ACQ treated pine sleeper dressed smooth. 'Type 2' only, refer to Installation Detail. ▪ Galvanised 'H', 'C', '90°' or '45°' posts, refer to Details.
Installation	<ul style="list-style-type: none"> ▪ Fix posts into concrete footing as shown in Installation Details. ▪ Fit timber sleepers between posts. ▪ Secure sleepers with fixtures as shown in Installation Details.
Product & Supplier	<ul style="list-style-type: none"> ▪ Many suppliers available.
Note	<ul style="list-style-type: none"> ▪ Design should be site specific and checked by a structural engineer. Walls above 1000mm require a building permit and possibly a hand rail.

19.4 Timber Sleeper & Steel Beam Retaining Wall

Detail



Type 1: Installation Detail - Elevation 1:20



Type 2: Installation Detail - Elevation 1:20

