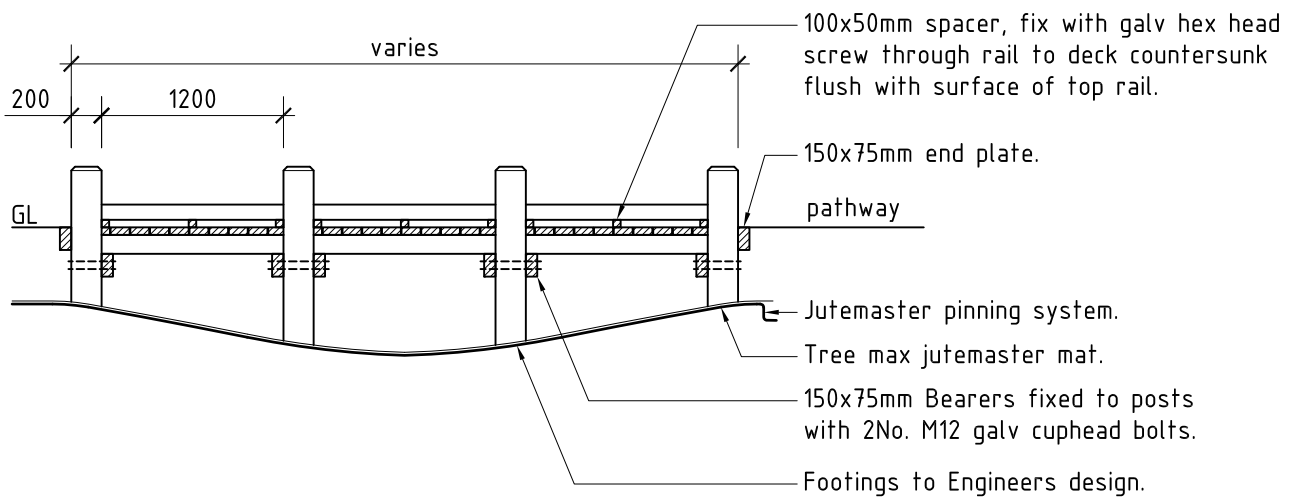




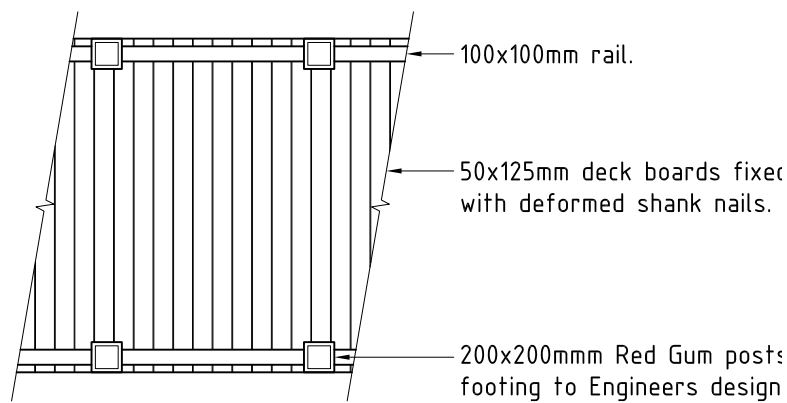
Suitable Locations	<ul style="list-style-type: none">▪ Significant Parks & Gardens▪ Informal Parks & Community Recreation Reserves▪ Bushland & Natural Areas
Dimensions	<ul style="list-style-type: none">▪ 1800mm max wide.
Material	<ul style="list-style-type: none">▪ 200x200 Red Gum posts, chamfer top.▪ First grade Class 1 KDHW timber deck boards, rails, spacers, bearers, end plates and joists. Free of splits and shakes.▪ All fixings to be hot dipped galvanised.▪ Apply non-slip coating to timber decks or use non-slip material for deck.
Installation	<ul style="list-style-type: none">▪ Fix timber posts into concrete footings to Engineers design, set plumb.▪ Fix bearers to timber posts with 2No. M12 galvanised cuphead coach bolts.▪ Fix joists to bearers with galvanised straps @ 500mm max centres. Fix to posts with 2No. M12 galvanised cuphead coach bolts.▪ Deck boards fixed to joists with deformed shank nails. Nominal gap between deck boards equally spaced 5mm. To meet flush with ground level.
Maintenance	<ul style="list-style-type: none">▪ Repair/ replace timber as required.▪ Inspect regularly for rot or damage.▪ Clean with high pressure hot water.▪ Renew non-slip coating as required.
Suppliers	<ul style="list-style-type: none">▪ Numerous bridge design and construction companies

2.1 Pedestrian Bridge <900mm High (Typical)

Detail



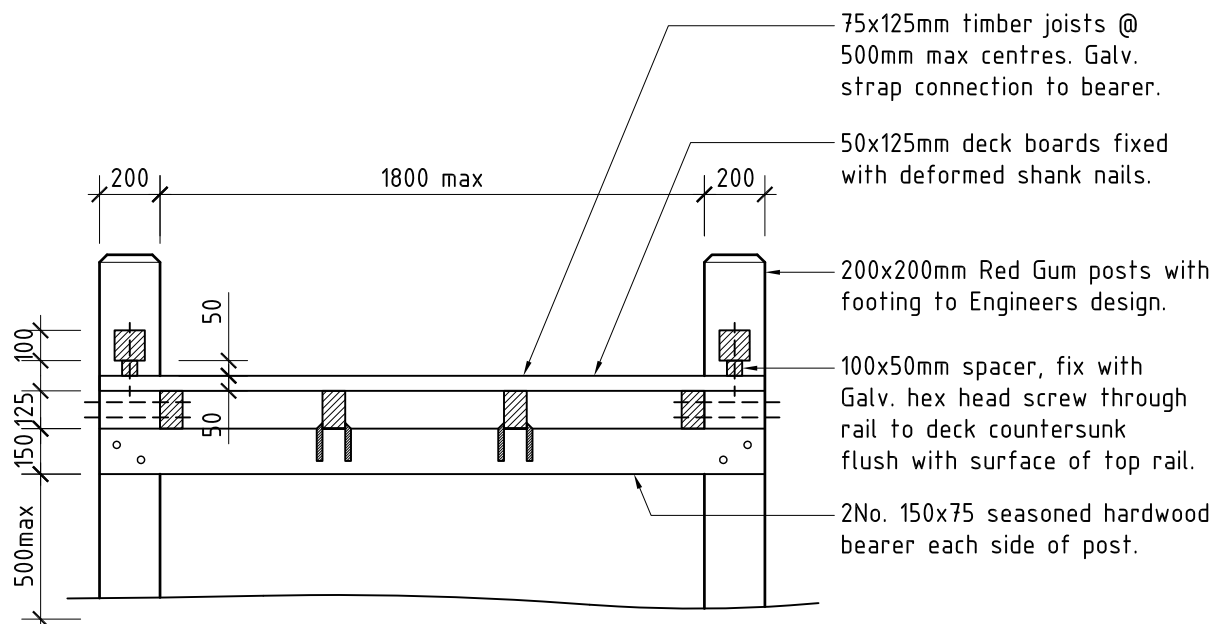
Installation Detail - Elevation 1:50



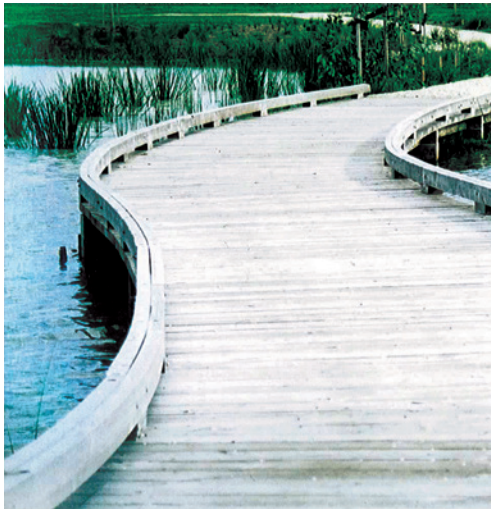
Installation Detail - Plan 1:50

Notes:

All timber to be first grade Class 1 KDHW. All fixings to be hot dipped galvanised.



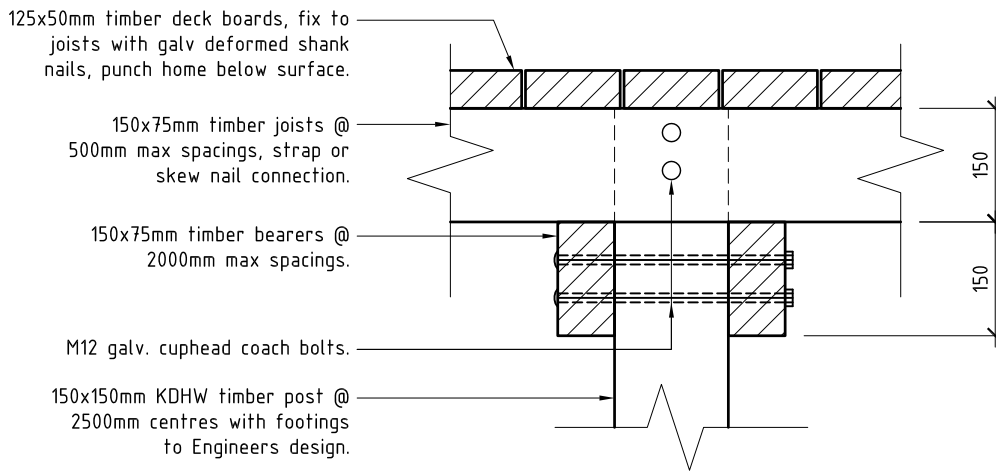
Installation Detail - 1:25



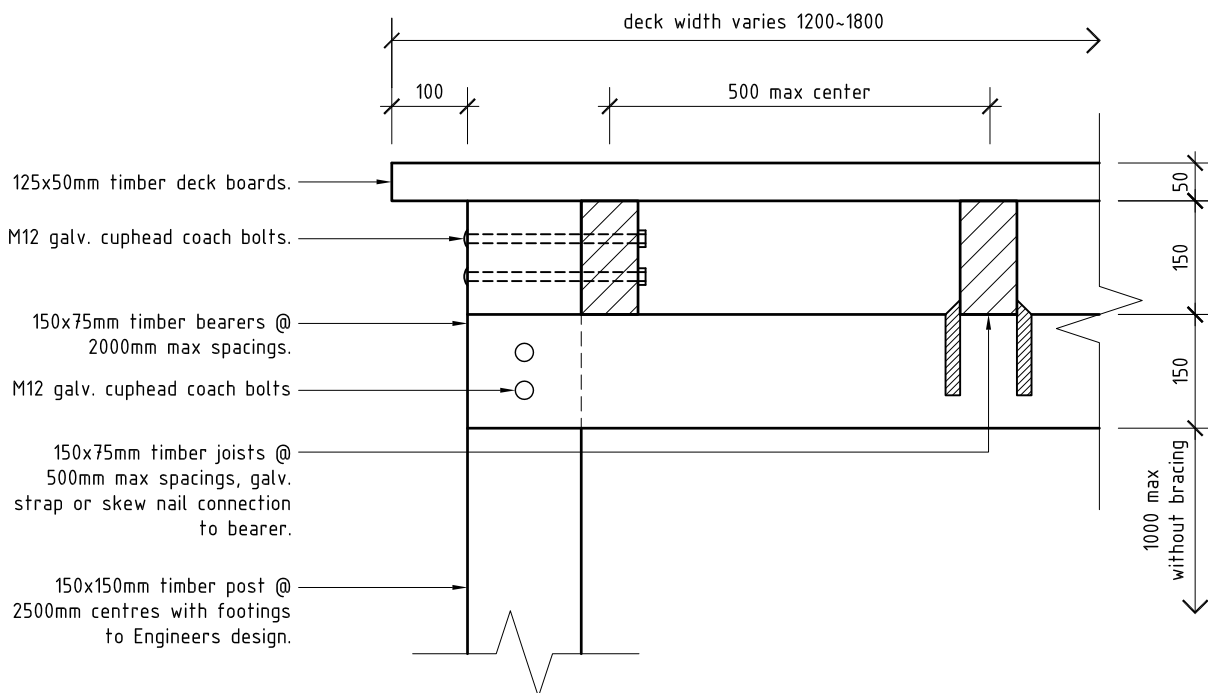
Suitable Locations	<ul style="list-style-type: none">▪ Significant Parks & Gardens▪ Informal Parks & Community Recreation Reserves▪ Bushland & Natural Areas
Dimensions	<ul style="list-style-type: none">▪ 1200~1800mm wide.
Material	<ul style="list-style-type: none">▪ First grade Class 1 KDHW or Cypress Pine timber deck boards, posts, bearers and joists. Free of splits and shakes.▪ All fixings to be hot dipped galvanised.▪ Apply non-slip coating to timber decks or use non-slip material for deck.
Installation	<ul style="list-style-type: none">▪ Fix timber posts into concrete footings to Engineers design, set plumb.▪ Fix bearers to timber posts with 2No. M12 galvanised cuphead coach bolts.▪ Fix joists to bearers with galvanised straps or skew nails @ 500mm max centres. Fix to posts with 2No. M12 galvanised cuphead coach bolts.▪ Deck boards fixed to joists with deformed shank nails. Nominal gap between deck boards equally spaced 5mm. Surface to meet flush with ground level.
Maintenance	<ul style="list-style-type: none">▪ Repair/ replace timber as required.▪ Inspect regularly for rot or damage.▪ Clean with high pressure hot water.▪ Renew non-slip coating as required.
Suppliers	<ul style="list-style-type: none">▪ Numerous bridge design and construction companies

2.2 Boardwalks (Typical)

Detail



Installation Detail Elevation - 1:10



Installation Detail Section - 1:10

Notes:

All timber for boardwalk construction to be first grade Class 1 KD F17 Australian Hardwood or KD F7 Cypress Pine free of splits and shakes. All fixings to be hot dipped galvanised.