

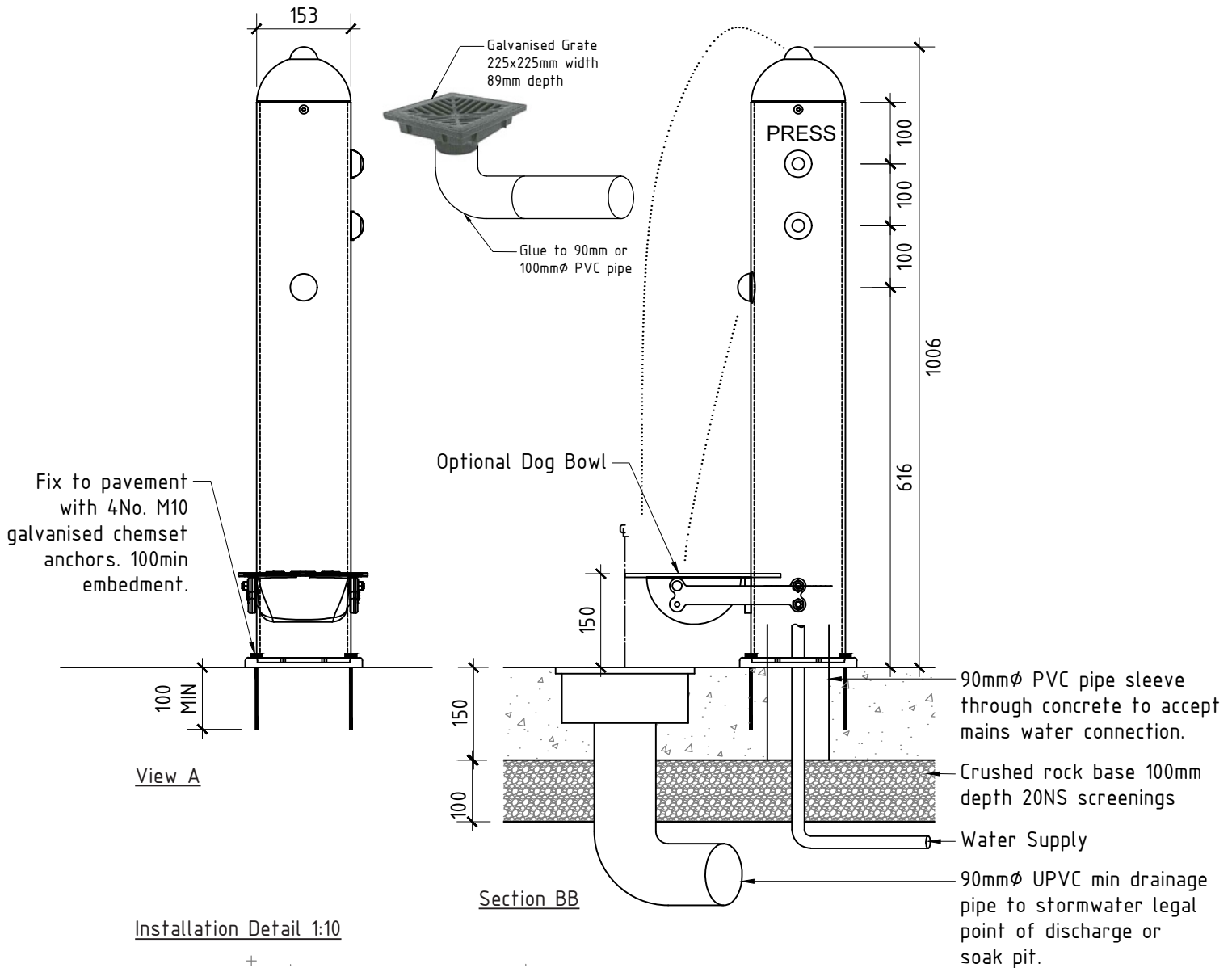


Dog Bowl Optional

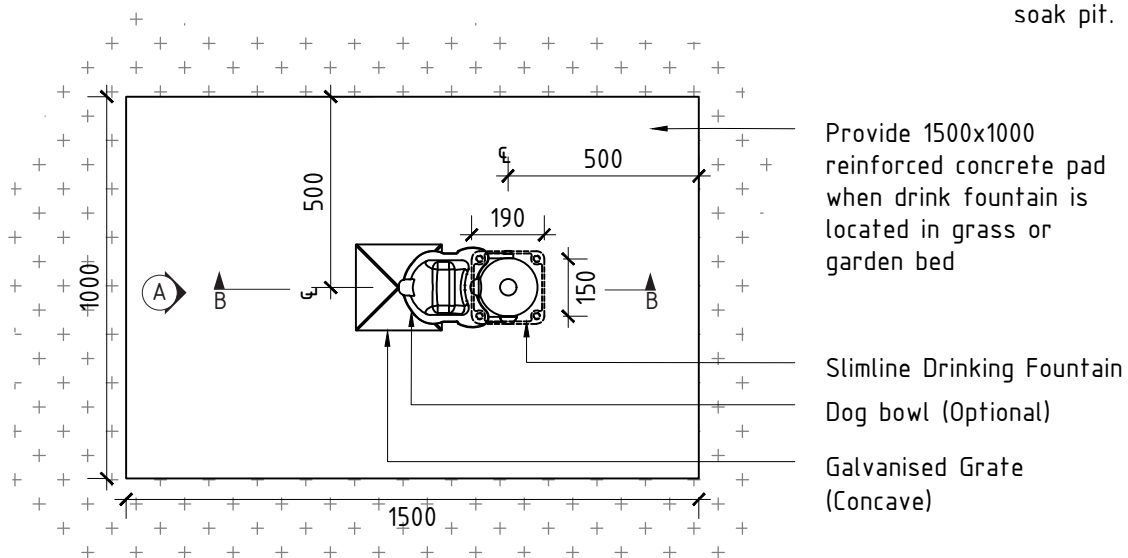
Suitable Locations	<ul style="list-style-type: none">▪ Significant parks and gardens.▪ Informal parks and community recreation reserves.▪ Dog Off-Leash Parks- Optional dog bowl required.
Dimensions	<ul style="list-style-type: none">▪ 1006 High x 153 Diameter column
Material	<ul style="list-style-type: none">▪ Aluminium powder coated 'Dulux' Anotec XT dark grey 51275 matte. 'PRESS' Wording to be colour yellow.
Installation	<ul style="list-style-type: none">▪ Construct concrete paving or 1500x1000 concrete pad with provision for water supply and drainage. Plumbing to be undertaken in accordance with Australian Standards. Provide a separate shut off valve and pressure reducing valve in a lockable plastic valve box adjacent to the drink fountain.▪ Fix to pavement with 4 No. M10 galvanised chemset anchors at each fixing point as shown in installation details. Not to be tamper proof. Ensure drink fountain is installed plumb.
Maintenance	<ul style="list-style-type: none">▪ Clean as required.▪ Paint to be touched up when chipped or damaged.
Product & Supplier	<ul style="list-style-type: none">▪ Terrain Group Pty Ltd.

4.1 Slimline Drinking Fountain

Detail



Installation Detail 1:10



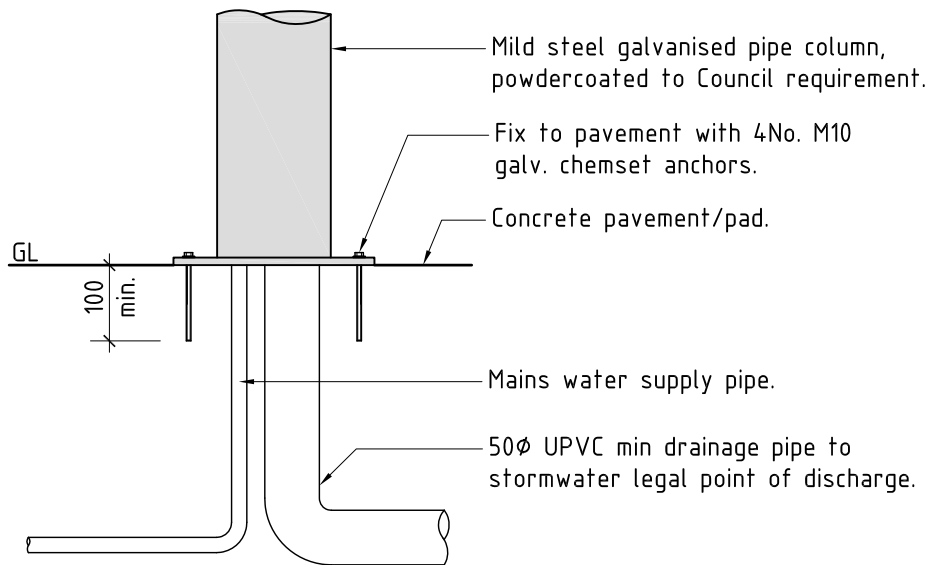
Plan 1:20



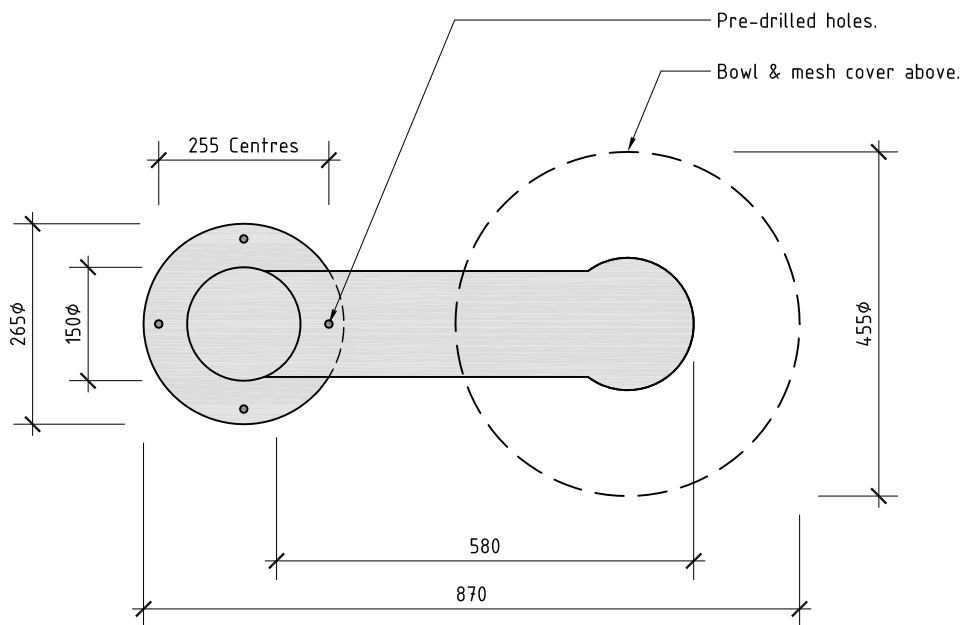
Suitable Locations	<ul style="list-style-type: none">▪ Activity Centres & Streetscapes▪ Significant Parks & Gardens▪ Sporting Reserves
Common Locations	<ul style="list-style-type: none">▪ Arrabri and Staley Gardens.
Dimensions	<ul style="list-style-type: none">▪ 450Ø bowl / 265Ø base plate with pre-drilled holes / 520mm extension area with 570mm clearance above ground.
Material	<ul style="list-style-type: none">▪ Bowl & Mesh cover: Stainless steel.▪ Bubbler: Stainless steel.▪ Column: 150Ø mild steel pipe hot dipped galvanised.▪ Finish: Powdercoat to Council requirement.
Installation	<ul style="list-style-type: none">▪ Construct concrete footing with provision for water supply and drainage. Plumbing to be undertaken in accordance with relevant Australian Standards.▪ Fix base plate to pavement with 4No. M10 galvanised chemset anchors at each fixing point as shown in Installation Details.▪ Ensure drinking fountain is installed plumb.
Maintenance	<ul style="list-style-type: none">▪ Clean as required.▪ Paint to be touched up when chipped or damaged.
Product & Supplier	<ul style="list-style-type: none">▪ Cascade Drinking Fountain GOV 64WCA by Furphy Foundry

4.2 Wheelchair Accessible Drinking Fountain

Detail



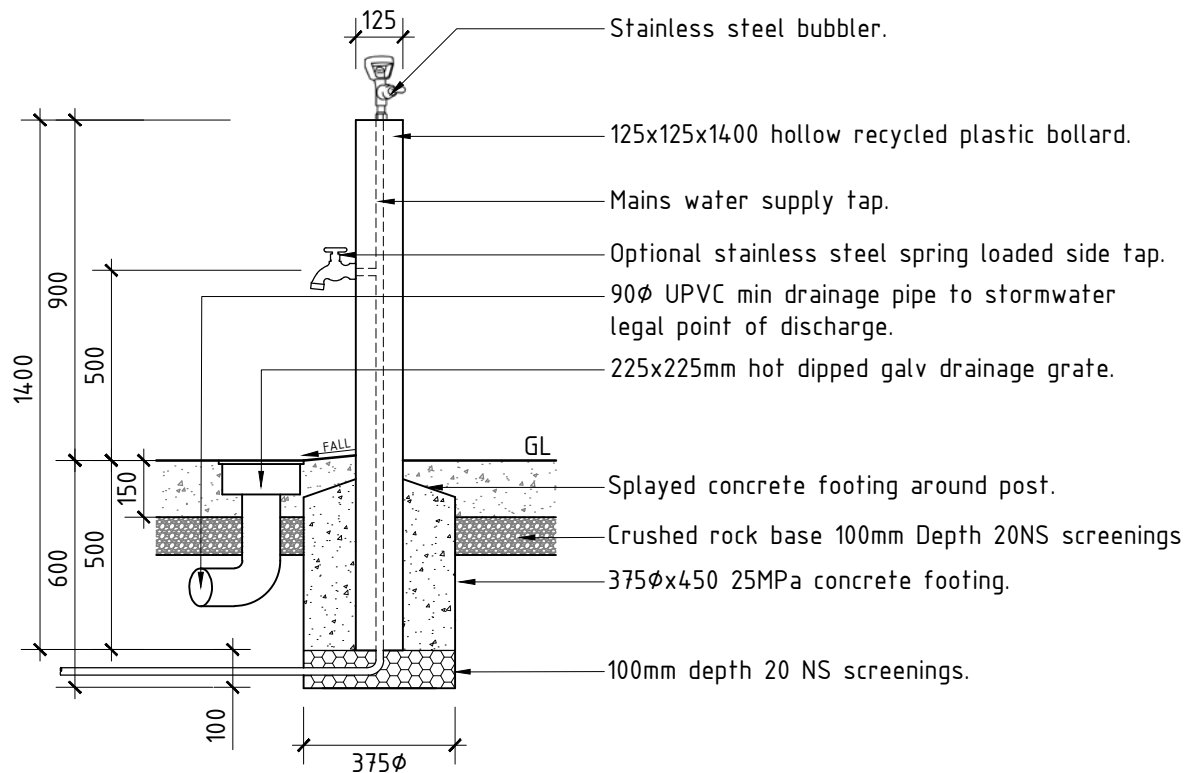
Installation Detail - Section 1:10



Plan 1:10



Suitable Locations	<ul style="list-style-type: none">▪ Informal Parks & Community Recreation Reserves▪ Sporting Reserves
Common Locations	<ul style="list-style-type: none">▪ Gracedale Park & Cheong Park.
Dimensions	<ul style="list-style-type: none">▪ 125x125x900mm above ground.
Material	<ul style="list-style-type: none">▪ Recycled plastic square bollard in grey.▪ Stainless steel bubbler.▪ Stainless steel spring loaded side tap is optional.
Installation	<ul style="list-style-type: none">▪ Fix drinking fountain into concrete footing with provision for water supply as shown in Installation Detail.▪ A drain is required at the foot of the drinking fountain if a side tap is used.▪ Plumbing to be undertaken in accordance with relevant Australian Standards. Ensure drinking fountain is installed plumb.
Maintenance	<ul style="list-style-type: none">▪ Graffiti is removable from plastic elements with 'Solvit Citrus Clean'.▪ Stainless steel bubbler and side tap clean as required.
Product & Supplier	<ul style="list-style-type: none">▪ Drinking Fountain DF-BC (DF-BCST with side tap) by Replas.



Installation Detail - Section 1:20

