

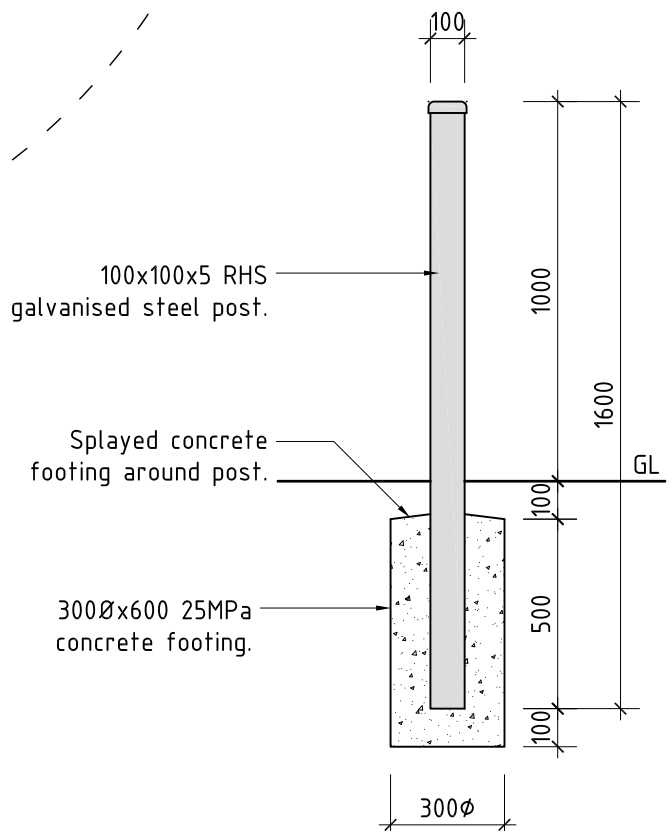
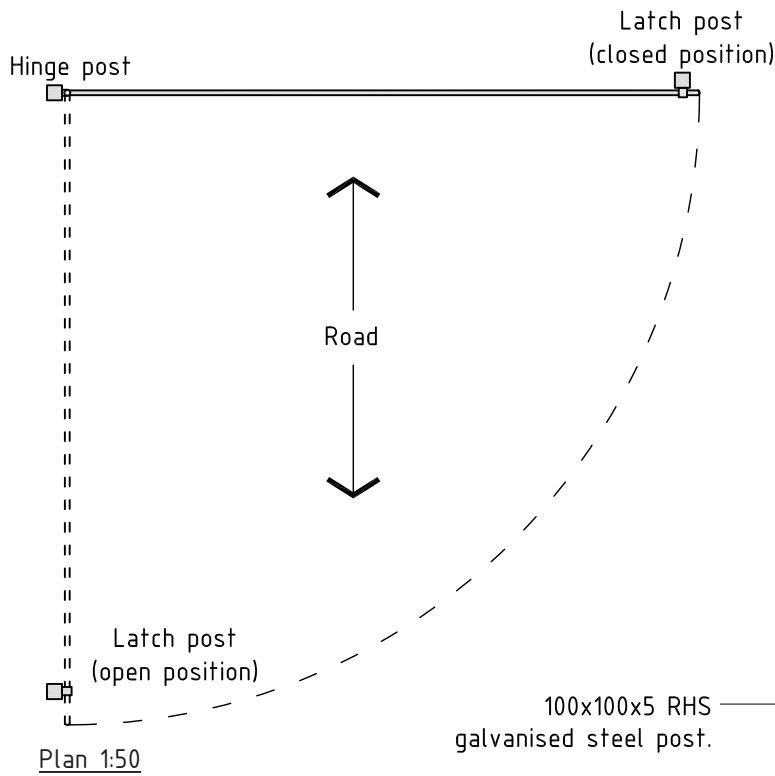
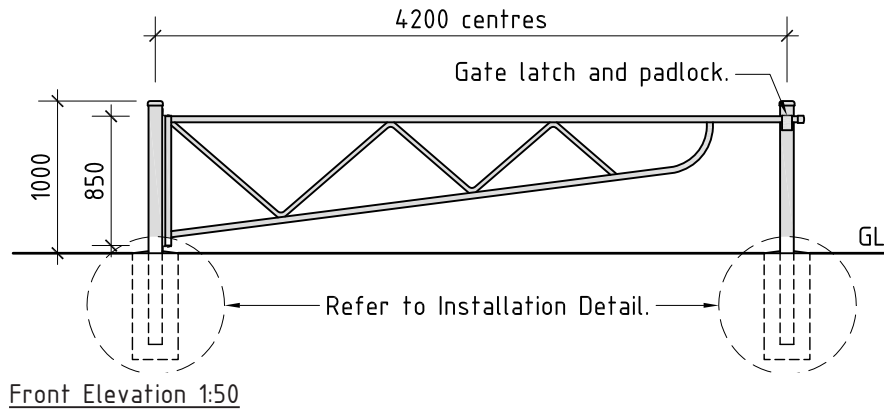


---

|                               |  |
|-------------------------------|--|
| <b>Suitable Locations</b>     | <ul style="list-style-type: none"><li>▪ Informal Parks &amp; Community Recreation Reserves</li><li>▪ Sporting Reserves</li><li>▪ Bushland &amp; Natural Areas</li></ul>  |
| <b>Common Locations</b>       | <ul style="list-style-type: none"><li>▪ Barngoon Reserve &amp; Eastfield Park.</li></ul>   |
| <b>Dimensions</b>             | <ul style="list-style-type: none"><li>▪ 4200x1000mm high above ground.</li></ul>   |
| <b>Material</b>               | <ul style="list-style-type: none"><li>▪ Galvanised steel boom gate made from 32Ø medium galvanised pipe, powdercoated white.</li><li>▪ Boom gates are supplied with:<ul style="list-style-type: none"><li>(1) 1No. hinge post,</li><li>(2) 2No. latch post (for gate in closed and open positions).</li></ul></li><li>▪ All posts are 100x100x5 RHS galvanised with white powdercoat finish.</li></ul> |
| <b>Installation</b>           | <ul style="list-style-type: none"><li>▪ Install perpendicular to road.</li><li>▪ All posts are to be fixed into concrete footings as shown in Installation Detail.</li></ul>   |
| <b>Maintenance</b>            | <ul style="list-style-type: none"><li>▪ Clean as required.</li><li>▪ Paint to be touched up when chipped or damaged.</li></ul>   |
| <b>Product &amp; Supplier</b> | <ul style="list-style-type: none"><li>▪ Boom Gate &amp; Lock by Barling's Woodworks Pty. Ltd. or Glennwire Fencing.</li></ul>  |

# 6.1 Boom Gate (Manual Operation)

Detail

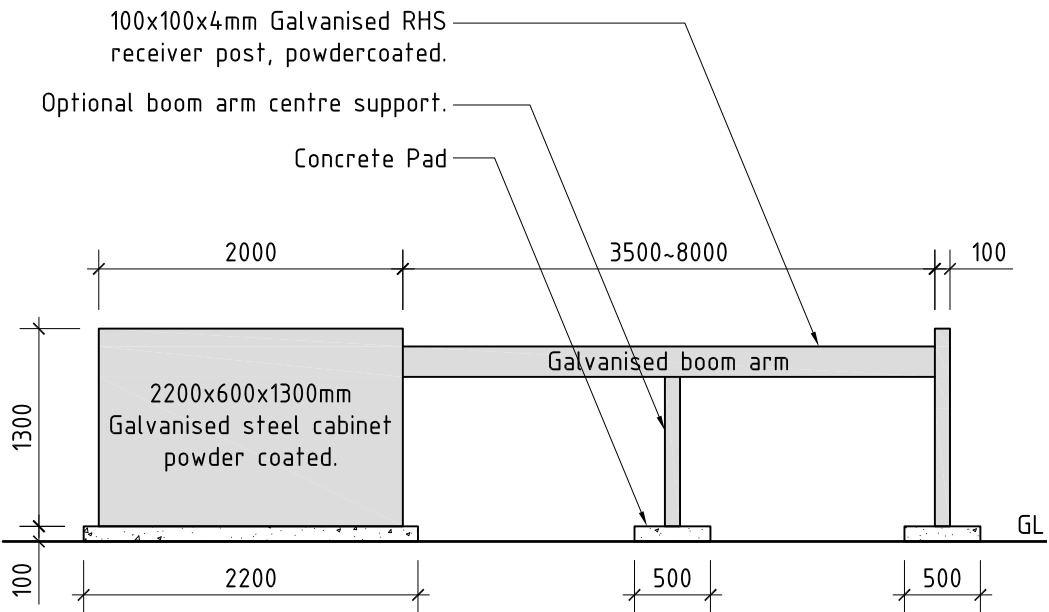


Installation Detail - Section 1:20



---

|                               |   |
|-------------------------------|---|
| <b>Suitable Locations</b>     | <ul style="list-style-type: none"><li>▪ Significant Parks &amp; Gardens</li><li>▪ Informal Parks &amp; Community Recreation Reserves</li><li>▪ Sporting Reserves</li></ul>  |
| <b>Common Locations</b>       | <ul style="list-style-type: none"><li>▪ For future installation</li></ul>   |
| <b>Dimensions</b>             | <ul style="list-style-type: none"><li>▪ 3500mm wide for single lane. 4000mm extension option.</li><li>▪ 7000mm wide for double lane. 8000mm extension option.</li></ul>   |
| <b>Material</b>               | <ul style="list-style-type: none"><li>▪ 2000x600x1300 high galvanised steel cabinet, powdercoated to Council request.</li><li>▪ 100x100x1300 high galvanised receiver post, powdercoated to Council request.</li><li>▪ 200x100x3500~9000 galvanised RHS boom arm.</li></ul> |
| <b>Installation</b>           | <ul style="list-style-type: none"><li>▪ Install perpendicular to road.</li><li>▪ Fix components to concrete pad to manufacture's instructions.</li><li>▪ Ensure electrical supply provisions to steel cabinet in accordance with Australian Standards.</li></ul>            |
| <b>Maintenance</b>            | <ul style="list-style-type: none"><li>▪ Clean as required.</li><li>▪ Paint to be touched up when chipped or damaged.</li></ul>  |
| <b>Product &amp; Supplier</b> | <ul style="list-style-type: none"><li>▪ TMSBA4 (single) TMSBA8 (double) by Leda-Vannaclip</li><li>▪ Other alternative suppliers are available.</li></ul>  |



Installation Detail - 1:50