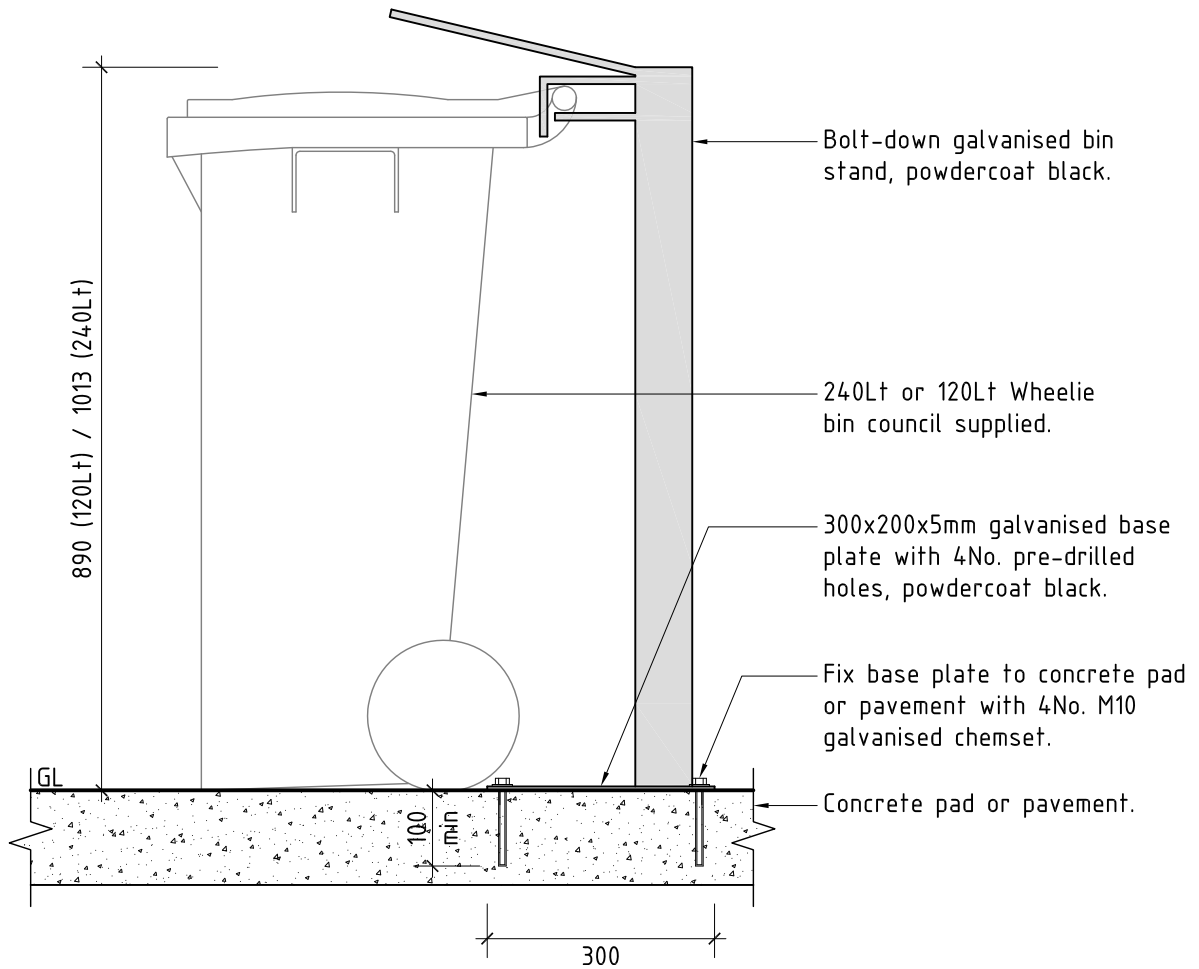




Suitable Locations	<ul style="list-style-type: none">▪ Activity Centres & Streetscapes▪ Significant Parks & Gardens▪ Informal Parks & Community Recreation Reserves
Common Locations	<ul style="list-style-type: none">▪ BBQ areas.
Dimensions	<ul style="list-style-type: none">▪ 120 Litre bolt-down stand height: 890mm▪ 240 Litre bolt-down stand height: 1013mm
Material	<ul style="list-style-type: none">▪ Hot dipped galvanised steel bolt-down Wheelie Bin stand, powder coat black.
Installation	<ul style="list-style-type: none">▪ Refer to Council Waste Management Guidelines. Install to concrete pad/pavement with 4No. M10 galvanised chemset anchors to fit pre-drilled holes in base plate.
Maintenance	<ul style="list-style-type: none">▪ Clean as required.
Product & Supplier	<ul style="list-style-type: none">▪ Wheelie Bin Post Cat No. 383(B) by Draffin. State the size of Wheelie Bin when placing orders.



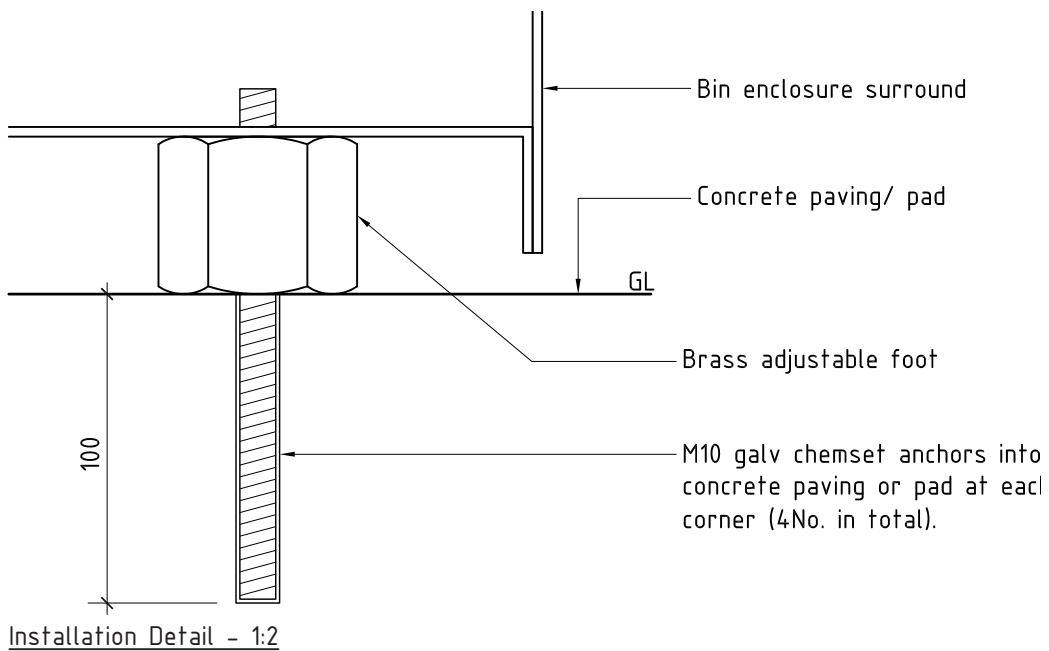
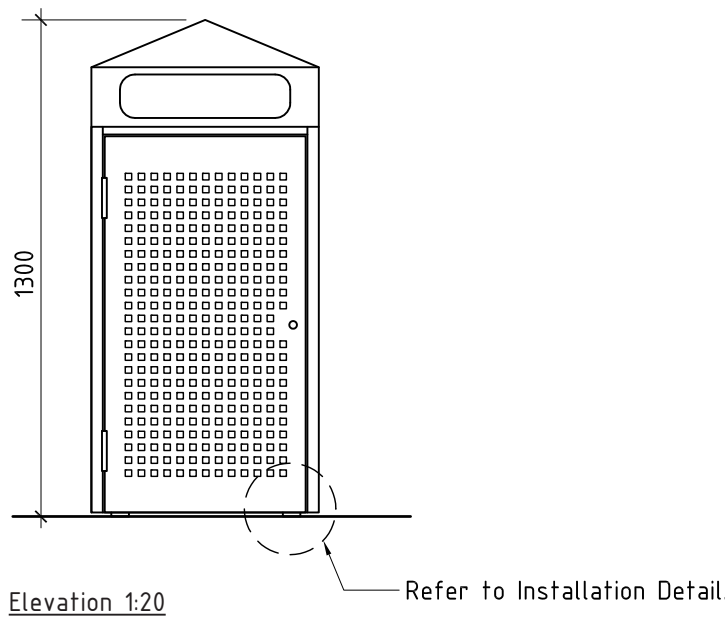
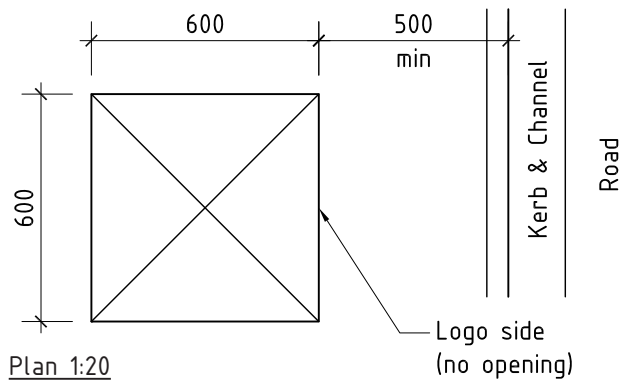
Installation Detail - 1:10



Suitable Locations	<ul style="list-style-type: none">▪ Activity Centres & Streetscapes▪ Significant Parks & Gardens
Common Locations	<ul style="list-style-type: none">▪ Strip Shopping Centres
Dimensions	<ul style="list-style-type: none">▪ 600x600x1300mm above ground. (120 litre bin)
Material	<ul style="list-style-type: none">▪ Lid: 316 stainless steel, mirror finish. Openings to 3 sides.▪ Bin surround & door: 316 stainless steel, brush finish, with slam lock and magnet. Internal guide panels.▪ Hinges: Stainless steel.▪ Lock: 8mm Male Triangle.
Installation	<ul style="list-style-type: none">▪ Install unit parallel to kerb edge unless instructed otherwise. Ensure minimum 500mm offset from face of kerb & channel.▪ Frames to be fixed to pavement with M10 galvanised chemset anchors as shown in Installation Detail.
Maintenance	<ul style="list-style-type: none">▪ Clean as required.
Product & Supplier	<ul style="list-style-type: none">▪ Maroondah Rubbish Bin Enclosure by Draffin.

8.2 Maroondah Rubbish Bin Enclosure

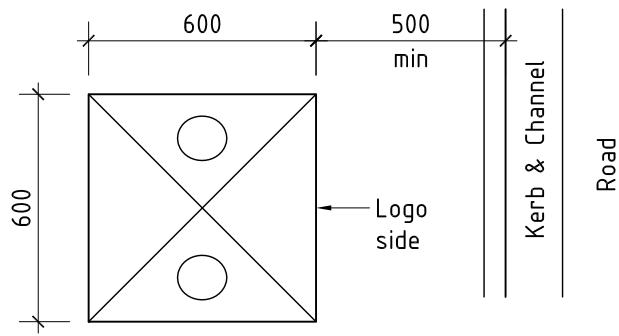
Detail



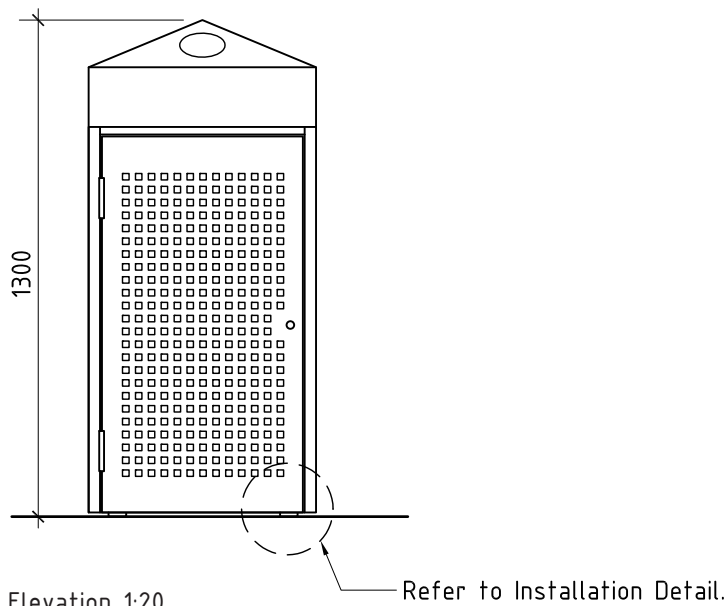


Suitable Locations	<ul style="list-style-type: none"> ▪ Activity Centres & Streetscapes ▪ Significant Parks & Gardens
Common Locations	<ul style="list-style-type: none"> ▪ Main Street, Croydon.
Dimensions	<ul style="list-style-type: none"> ▪ 600x600x1300mm above ground. (120 litre bin)
Material	<ul style="list-style-type: none"> ▪ Lid: 316 stainless steel, mirror finish. 2 welded tube (round) openings. ▪ Bin surround & door: 316 stainless steel, brush finish. Internal guide panels. ▪ Hinges: Stainless steel. ▪ Lock: 8mm Male Triangle.
Installation	<ul style="list-style-type: none"> ▪ Install unit parallel to kerb edge unless instructed otherwise. Ensure minimum 500mm offset from face of kerb & channel. ▪ Frames to be fixed to pavement with M10 galvanised chemset anchors as shown in Installation Detail.
Maintenance	<ul style="list-style-type: none"> ▪ Clean as required.
Product & Supplier	<ul style="list-style-type: none"> ▪ Maroondah Recycle Bin Enclosure by Draffin.

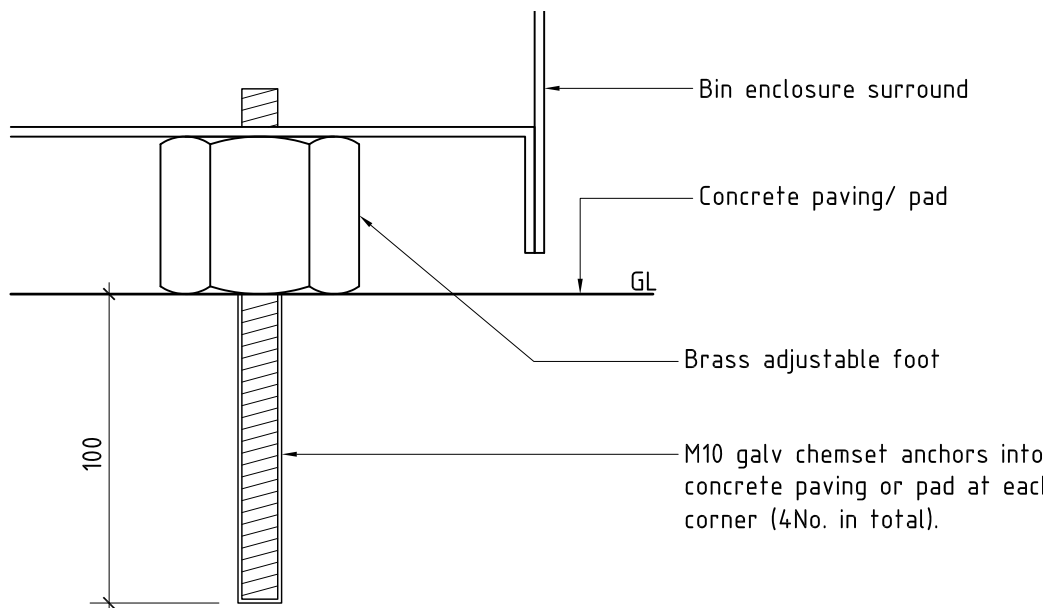
8.3 Maroondah Recycle Bin Enclosure



Plan 1:20



Elevation 1:20



Installation Detail - 1:2



Suitable Locations	▪ Significant Parks & Gardens
Common Locations	▪ Glen Park Reserve
Dimensions	▪ 600x600x1400mm above ground. (120 litre bin)
Material	<ul style="list-style-type: none"> ▪ Slats: Brown 'DuraSlat' wood/plastic composite. ▪ Steel Frame: Silver zinc plated mild steel, powder coated with 'Bright Silver'. Include internal cowling from all sides. ▪ Lock: 8mm Male Triangle. ▪ Concrete Pad (if required): 100mm thick 25MPa or Pit Lid. Finish: 'Broomed' unless otherwise noted. Refer to Concrete pad notes and installation detail.
Installation	<ul style="list-style-type: none"> ▪ Install concrete pad parallel to edge of footpath/pavement unless instructed otherwise. ▪ Bin enclosure to be fixed to concrete pad with M10 galvanised chemset anchors as shown in Installation Detail.
Maintenance	<ul style="list-style-type: none"> ▪ Clean as required. ▪ Paint to be touched up when chipped or damaged.
Product & Supplier	▪ 120Lt UDG3-BN50 (modified) by Urban Design Group.

