

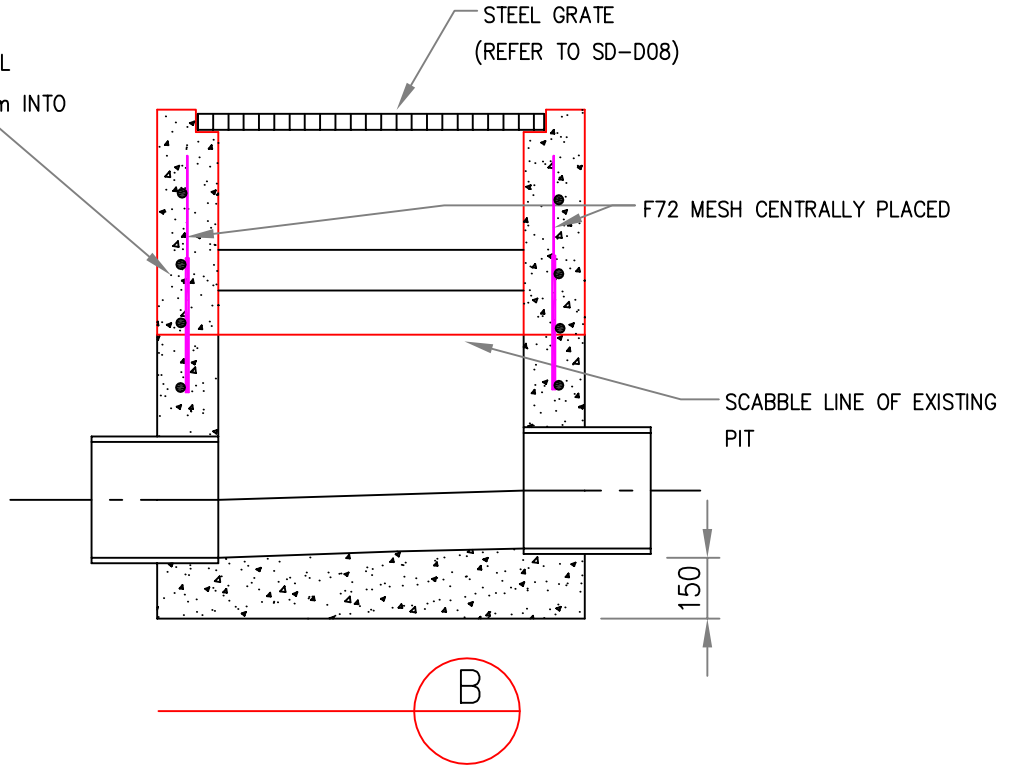
NOTE:
PIT DIMENSIONS AS PER TABLE SD-D03



TITLE:
**SIDE ENTRY PIT
CONVERSION AT
VEHICLE CROSSINGS**

APPROVED: A.TAYLOR
REV | D |
DATE: OCTOBER 2011
DRAWING No.:
SD-D05
SHEET : 1 of 2

TIE IN TO EXISTING STEEL OR DOWEL WITH Y-12 BARS AT 150 CENTRES
Y-12 BARS TO BE GROUDED 200mm INTO EXISTING PIT WALL



NOTES :

WALL THICKNESS TO BE 150mm CONCRETE



TITLE:

SIDE ENTRY PIT
CONVERSION AT
VEHICLE CROSSINGS

APPROVED: A.TAYLOR

REV D

DATE: OCTOBER 2011

DRAWING No.:

SD-D05

SHEET : 2 of 2

DESIGNED: D. RUFFLE CHECKED: D. HAIR

For Further Enquiries Contact Maroondah's Engineering and Infrastructure Department on 9298 4292