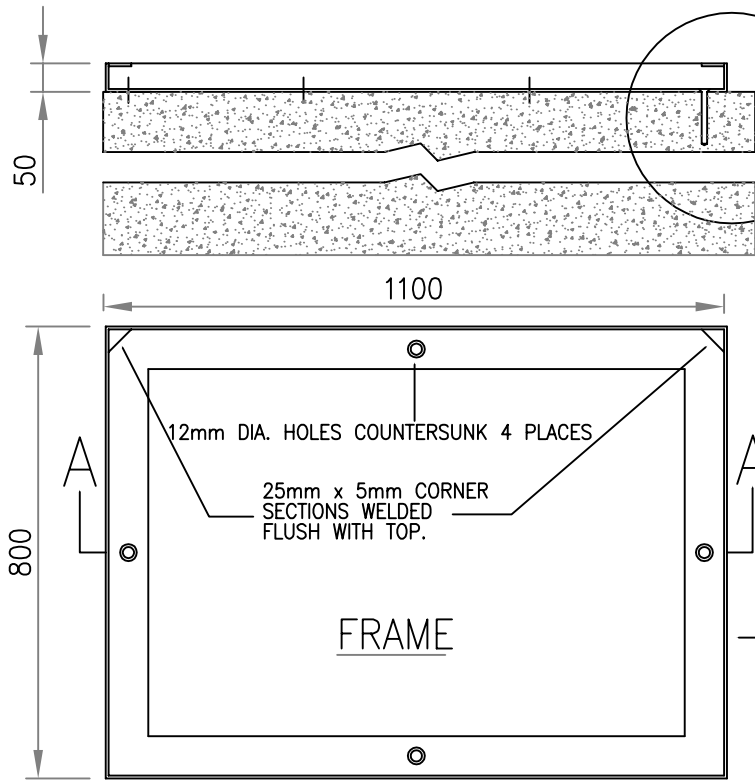
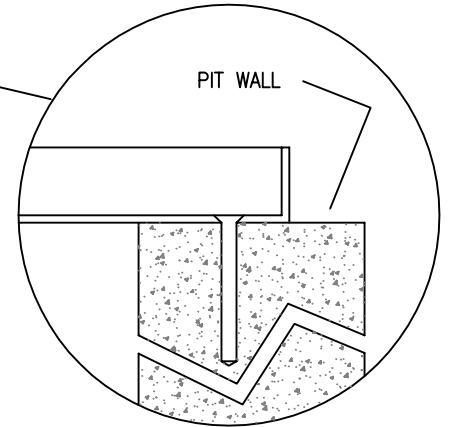


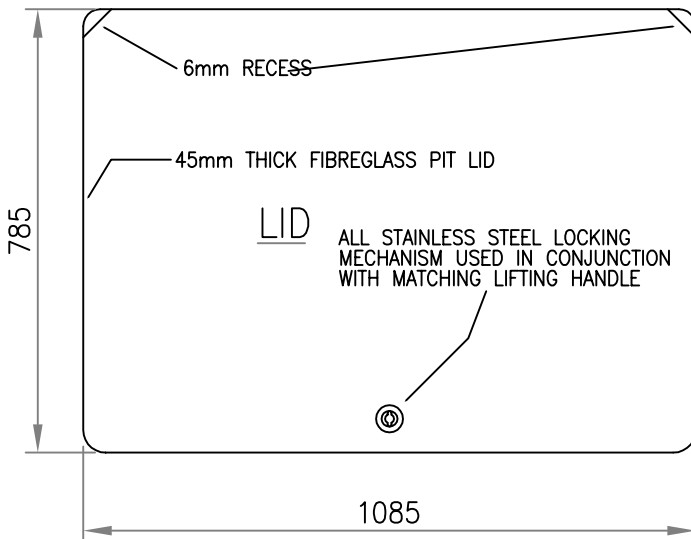
Section A-A



ATTACH WITH 10mm DIA x 75mm LONG DYNABOLT OR CONTINUOUS THREAD LUG.



75mm x 50mm x 5mm GALVANISED ANGLE IRON FRAME



NOTE

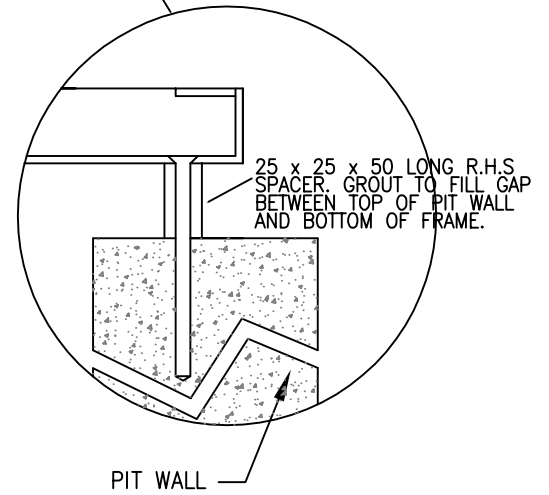
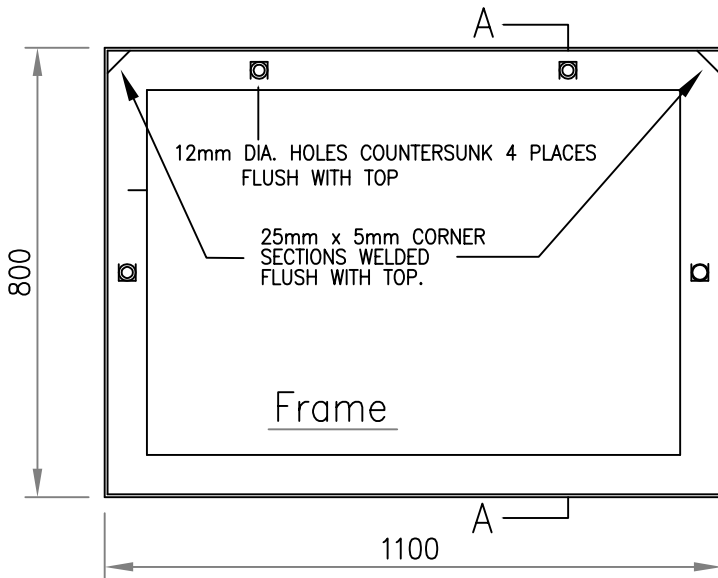
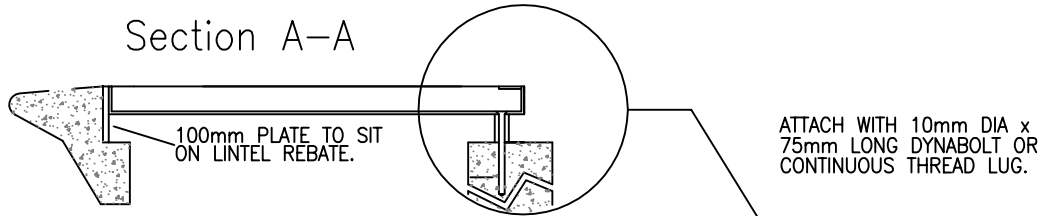
DIMENSIONS GIVEN ARE FOR 900mm x 600mm JUNCTION PITS WITH 150mm THICK WALLS. FIXING BOLTS ARE LOCATED A MIN. OF 50MM FROM FACE (INTERNAL OR EXTERNAL) OF PIT WALL. ADJUST DIMENSIONS OF PIT LID AS REQUIRED FOR DIFFERENT PIT SIZES.



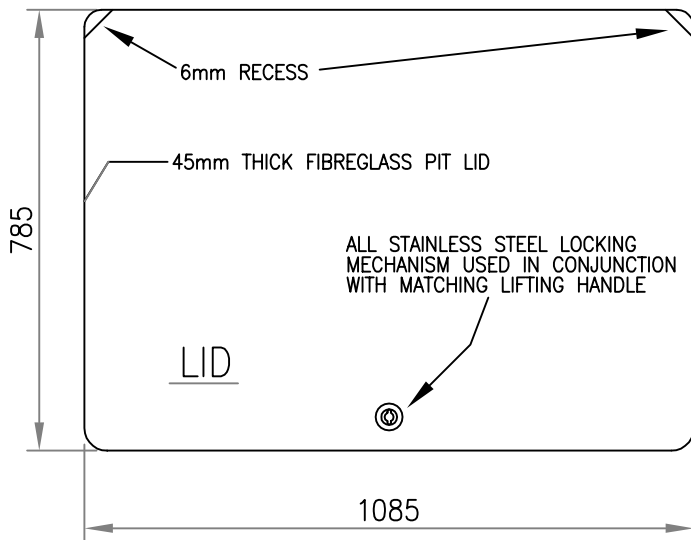
TITLE:
**JUNCTION PIT
 FRAME & LID DETAILS**

APPROVED: A.TAYLOR	
REV	D
DATE: OCTOBER 2011	
DRAWING No.:	
SD-D07	
SHEET : 1 of 2	

Section A-A



75mm x 50mm x 5mm GALVANISED ANGLE IRON FRAME



NOTE
 DIMENSIONS GIVEN ARE FOR 900mm x 600mm SIDE ENTRY PITS WITH 150mm THICK WALLS. FIXING BOLTS ARE LOCATED A MIN. OF 50MM FROM FACE (INTERNAL OR EXTERNAL) OF PIT WALL. ADJUST DIMENSIONS OF PIT LID AS REQUIRED FOR DIFFERENT PIT SIZES.



TITLE:

SIDE ENTRY PIT
FRAME & LID DETAILS

APPROVED: A.TAYLOR

REV | D

DATE: OCTOBER 2011

DRAWING No.:

SD-D07

SHEET : 2 of 2

DESIGNED: D. RUFFLE CHECKED: D. HAIR

For Further Enquiries Contact Maroondah's Engineering and Infrastructure Department on 9298 4292