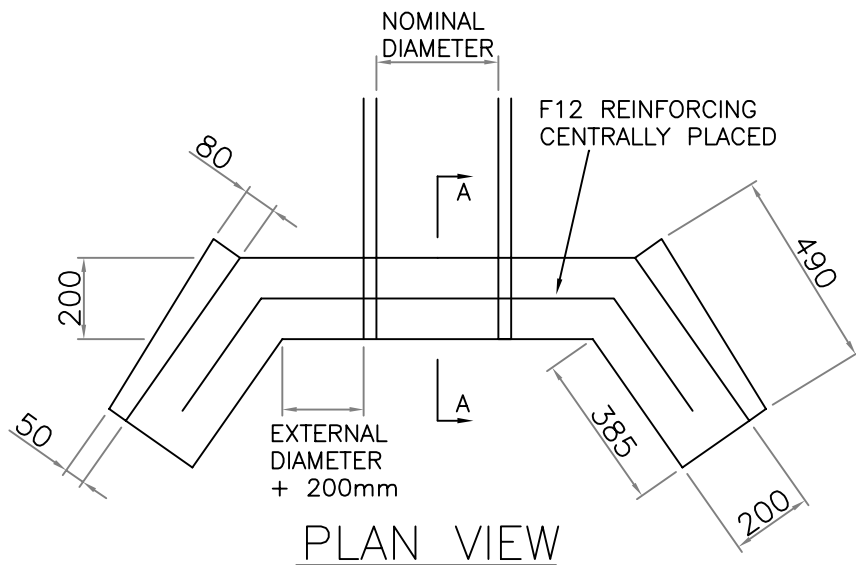


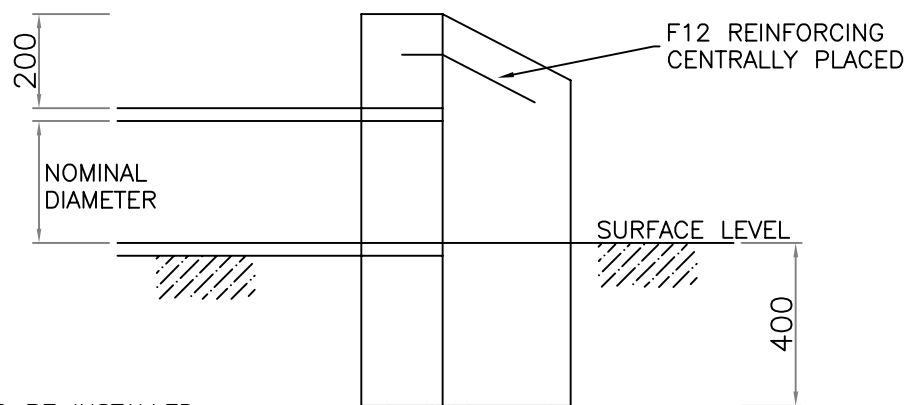
END ELEVATION

NOTES :

- ALL DIMENSIONS ARE IN MILLIMETRES UNLESS OTHERWISE INDICATED.
- EXPOSED EDGES ARE TO HAVE 20MM CHAMFERS
- A MINIMUM OF 50MM COVER IS REQUIRED FOR ALL REINFORCING
- ENDWALL IS TO BE INSTALLED ON A MINIMUM 150mm COMPACTED CLASS 2 FCR BASE
- ROCK BEACHING MAY BE REQUIRED ADJACENT TO ENDWALLS, TO BE CONFIRMED BY SUPERINTENDENT'S REPRESENTATIVE



PLAN VIEW



ENDWALL IS TO BE INSTALLED ON A MINIMUM 150mm COMPACTED CLASS 2 FCR BASE

SECTION A-A



TITLE:

WINGED ENDWALL

APPROVED: A.TAYLOR

REV | A |

DATE: OCTOBER 2011

DRAWING No.:

SD-D13

SHEET : 1 of 2

DESIGNED: D. RUFFLE | CHECKED: D. HAIR

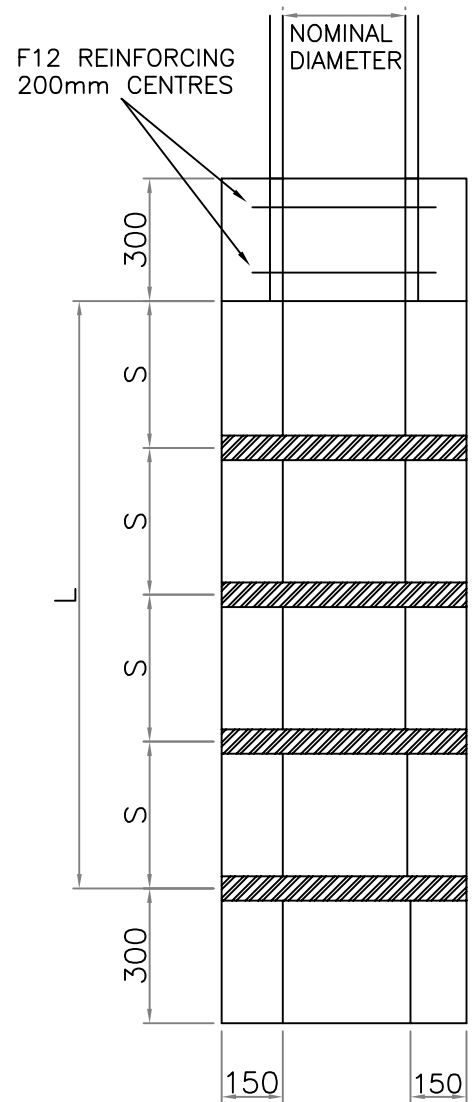
For Further Enquiries Contact Maroondah's Engineering and Infrastructure Department on 9298 4292

NOTES :

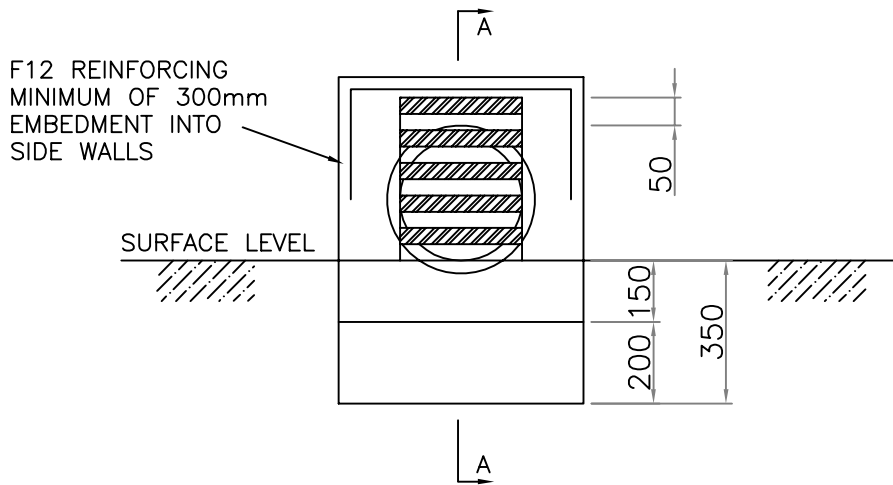
- ALL DIMENSIONS ARE IN MILLIMETRES UNLESS OTHERWISE INDICATED.
- A MINIMUM OF 50MM COVER IS REQUIRED FOR ALL REINFORCING
- ENDWALL IS TO BE INSTALLED ON A MINIMUM 150mm COMPACTED CLASS 2 FCR BASE
- ROCK BEACHING MAY BE REQUIRED ADJACENT TO ENDWALLS, TO BE CONFIRMED BY SUPERINTENDENT'S REPRESENTATIVE

- CONCRETE IS TO BE 32MPa
- EXPOSED EDGES ARE TO HAVE 20MM CHAMFERS
- RAILS ARE 60.3mm DIAMETER GALVANISED TUBES, 5.4mm THICK
- DISTANCE "S" IS AN EVEN SPACING OF DISTANCE "L", "S" IS NOT TO EXCEED 600mm (SEE TABLE BELOW)

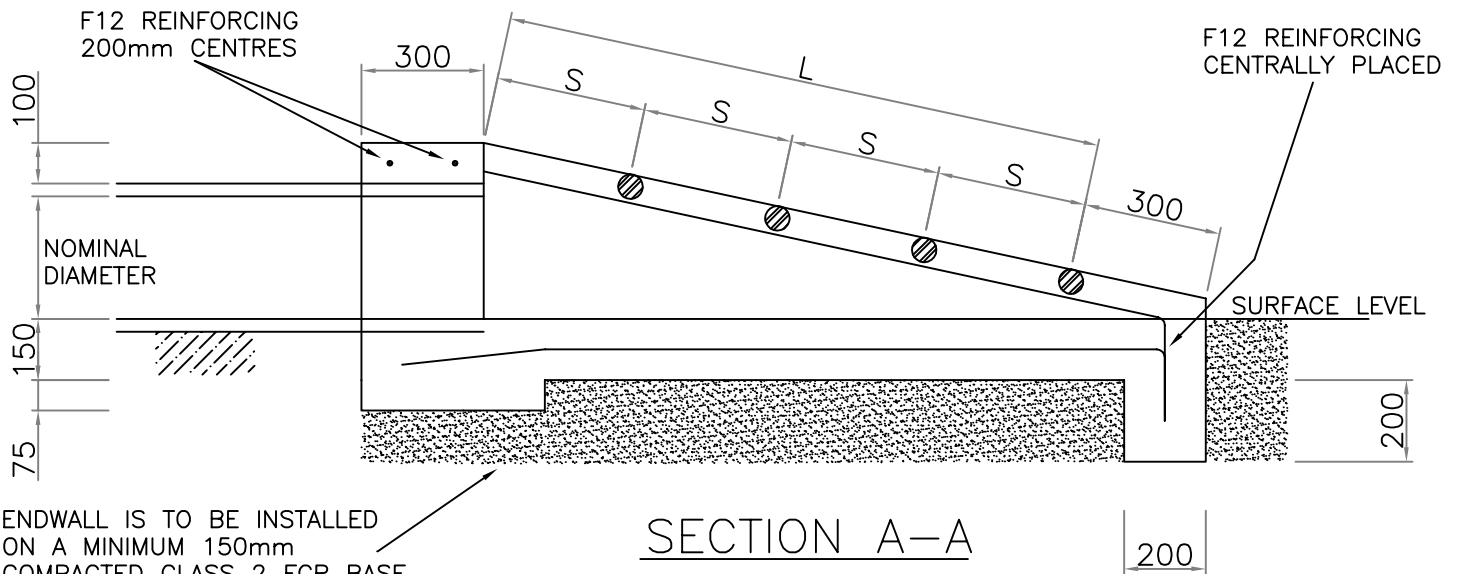
L (mm)	NUMBER OF RAILS
100-600	1
601-1200	2
1201-1800	3
1801-2400	4



PLAN



END ELEVATION



SECTION A-A

ENDWALL IS TO BE INSTALLED ON A MINIMUM 150mm COMPACTED CLASS 2 FCR BASE



TITLE:
DRIVEABLE ENDWALL

APPROVED: A.TAYLOR
REV | A |
DATE: OCTOBER 2011

DRAWING No.:
SD-D13

SHEET : 2 of 2