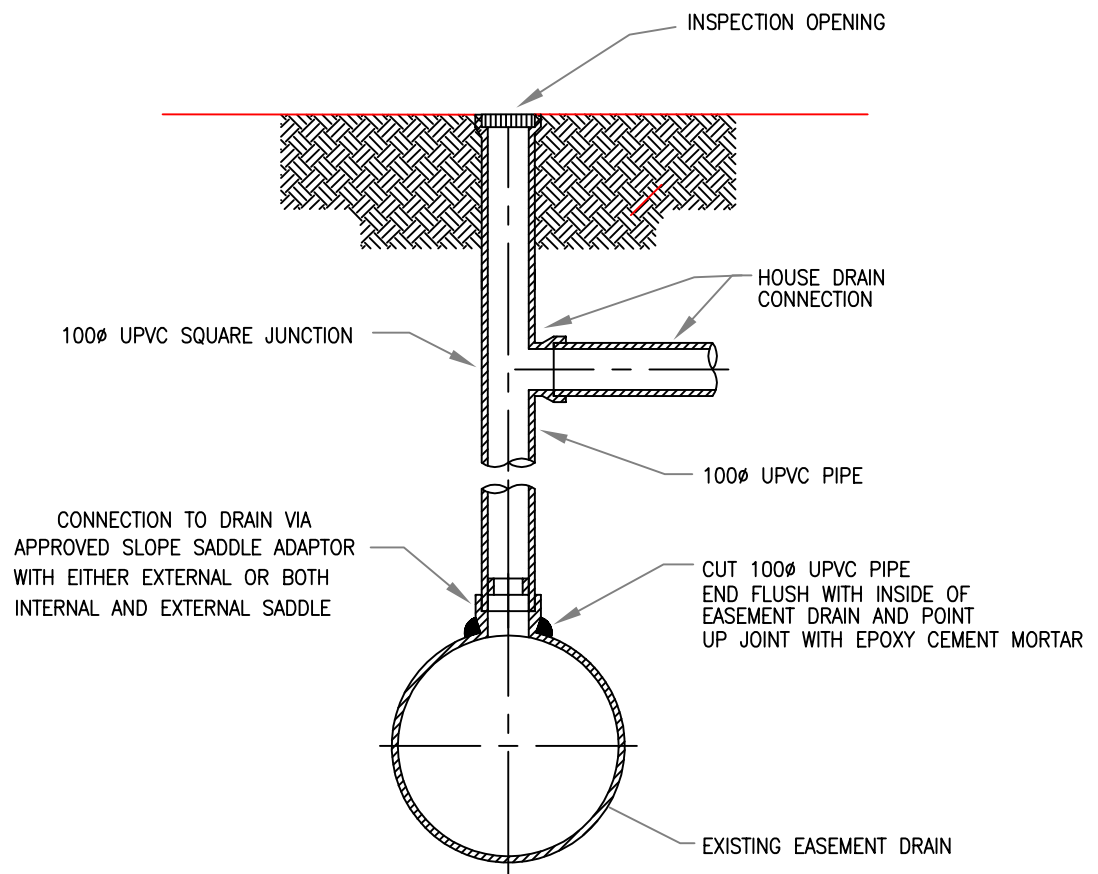


NOTE:

- DIRECT PIPE TO PIPE CONNECTION WILL ONLY BE CONSIDERED IF EXISTING DRAIN DIAMETRE IS MIN THREE TIMES THE DIAMETRE, (3 x D)min, OF THE INCOMING HOUSE CONNECTION.
- ALSO INCOMING HOUSE CONNECTION MUST NOT EXCEED 150mm WHEN CONNECTING DIRECTLY TO EXISTING COUNCIL DRAIN.



PIPE TO PIPE CONNECTION



TITLE:
**DIRECT PIPE CONNECTION
 TO COUNCIL DRAIN
 WITHIN AN EASEMENT**

APPROVED: A.TAYLOR
REV D
DATE: OCTOBER 2011
DRAWING No.:
SD-E01A
SHEET : 1 of 1