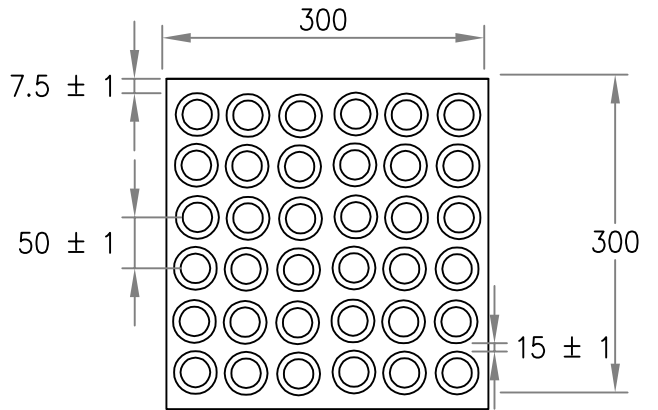


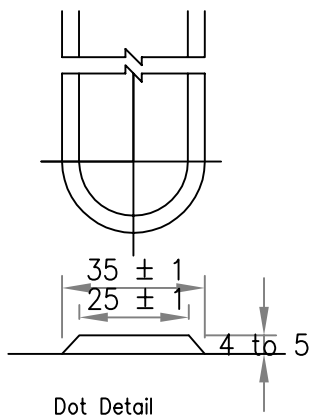
Top View

NOTE:

- USE AND INSTALLATION OF TACTILE MARKERS TO BE IN ACCORDANCE WITH AS 1428.4 AND TO THE SATISFACTION OF COUNCILS ENGINEERS.
- YELLOW CERAMIC UNLESS OTHERWISE INDICATED
- DIMENSIONS IN MILLIMETERS

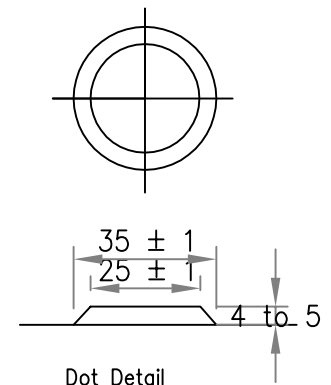


Top View



Dot Detail

DIRECTIONAL INDICATORS



Dot Detail

HAZARD INDICATORS



TITLE:
TACTILE INDICATORS

APPROVED: A.TAYLOR

REV D

DATE: OCTOBER 2011

DRAWING No.:

SD-G03

SHEET : 1 of 1