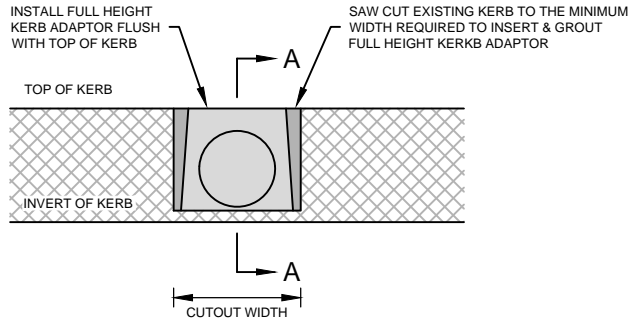


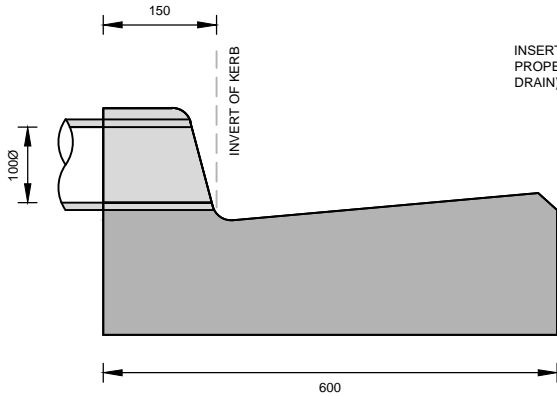
NOTES:

1. ALL DIMENSIONS IN MILLIMETRES UNLESS OTHERWISE INDICATED.
2. FULL HEIGHT KERB ADAPTOR TO BE uPVC OR RECYCLED RUBBER, TO MATCH EXISTING KERB PROFILE & FITTED TO MANUFACTURER'S SPECIFICATIONS.
3. FULL HEIGHT KERB ADAPTOR TO BE PROPRIETARY PRODUCT FROM BELOW SUPPLIERS OR APPROVED EQUIVALENT
 - 3.1. RECYCLED RUBBER - AVAILABLE AT 'R&S GRATING'
 - 3.2. uPVC - C&E ENTERPRISES 'C4' - AVAILABLE AT 'REECE'



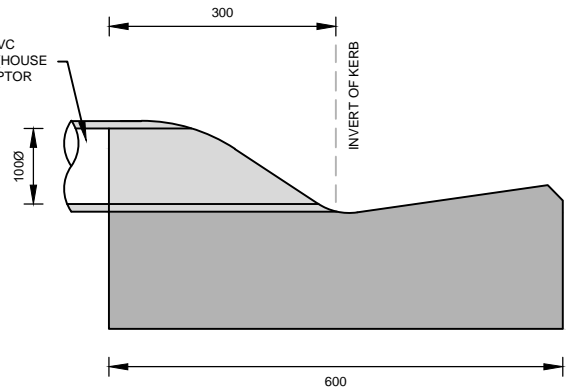
FRONT VIEW

SCALE 1:10 @ A4



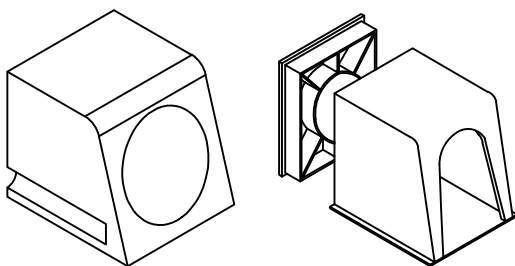
**SECTION A-A
BARRIER KERB & CHANNEL**

SCALE 1:10 @ A4



**SECTION A-A
SEMI-MOUNTABLE KERB & CHANNEL**

SCALE 1:10 @ A4

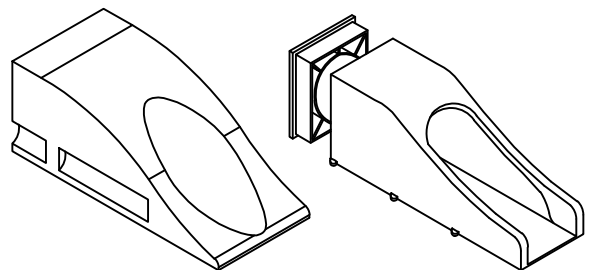


RUBBER

uPVC

**BARRIER KERB ADAPTORS
ISOMETRIC VIEW**

NOT TO SCALE



RUBBER

uPVC

**SEMI-MOUNTABLE KERB ADAPTORS
ISOMETRIC VIEW**

NOT TO SCALE



Title:

FULL HEIGHT KERB ADAPTOR

Revision: 00

Date: October 2020

Sheet: 1 of 1

Engineering & Building Services
Ph: (03) 9298 4292
www.maroondah.vic.gov.au

Standard Drawing Number:

MCC-304