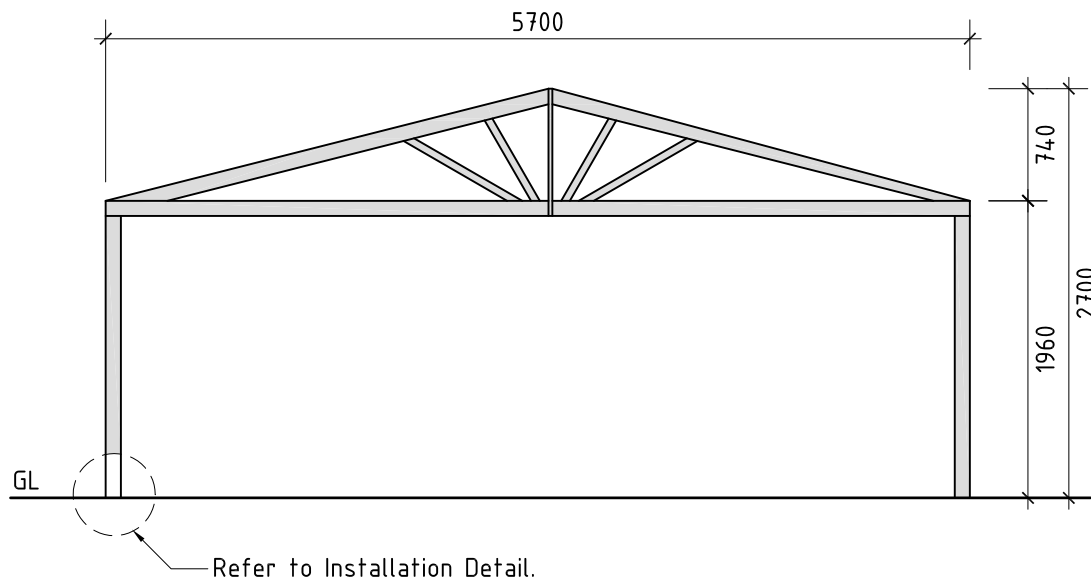


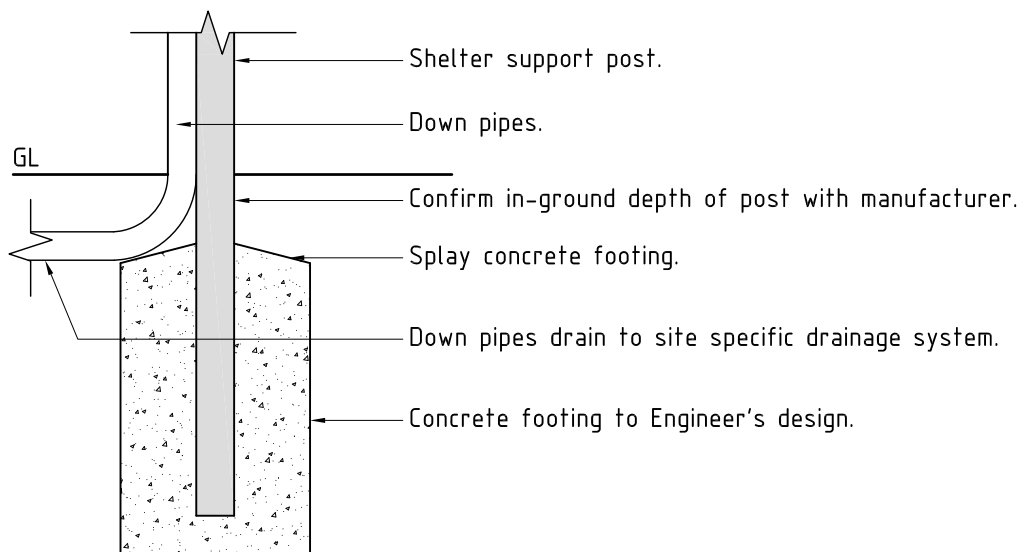



---

<b>Suitable Locations</b>	<ul style="list-style-type: none"> <li>▪ Informal Parks &amp; Community Recreation Reserves</li> <li>▪ Sporting Reserves</li> </ul>
<b>Common Locations</b>	<ul style="list-style-type: none"> <li>▪ Grayswood Reserve &amp; Town Park</li> </ul>
<b>Dimensions</b>	<ul style="list-style-type: none"> <li>▪ Single: 5700x3000x2700 above ground.</li> <li>▪ Double: 5700x6000x2700 above ground.</li> </ul>
<b>Material</b>	<ul style="list-style-type: none"> <li>▪ Frame: Duragal mild steel powdercoated black.</li> <li>▪ Roofing &amp; Gutters: Colorbond 'Mist Green'</li> <li>▪ Downpipes: Powdercoated to match frame.</li> </ul>
<b>Installation</b>	<ul style="list-style-type: none"> <li>▪ Roof section is supplied fully assembled.</li> <li>▪ Install supports into concrete footings to Engineers Detail.</li> <li>▪ Provide in-ground drainage connections from downpipes on opposite sides of roof to legal point of discharge.</li> <li>▪ Supplier to provide Engineering certification, computations and shop drawings.</li> </ul>
<b>Maintenance</b>	<ul style="list-style-type: none"> <li>▪ Robust, low maintenance.</li> <li>▪ Touch-up paint as required.</li> </ul>
<b>Product &amp; Supplier</b>	<ul style="list-style-type: none"> <li>▪ Maroondah Design by Alltek Welding</li> </ul>



Front  
Elevation - 1:50



Installation Detail - 1:20

Notes:

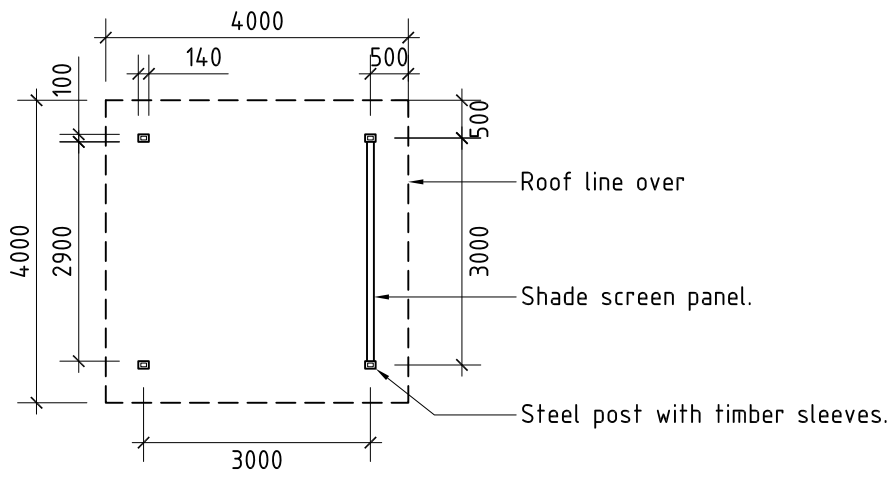
All steel to be zinc coated prior to powdercoat.

Gutter lengths to extend to end capping.

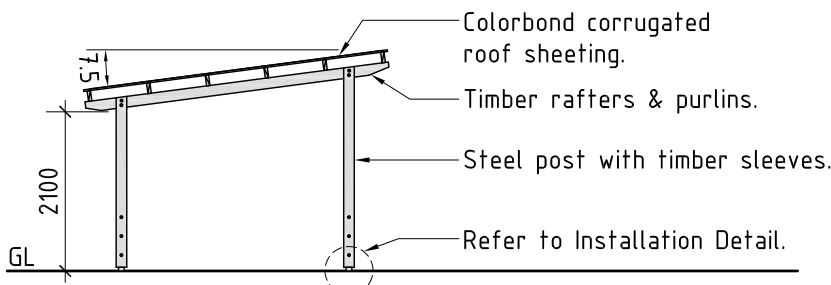
Pins on post for footings to be clear on downpipe areas.



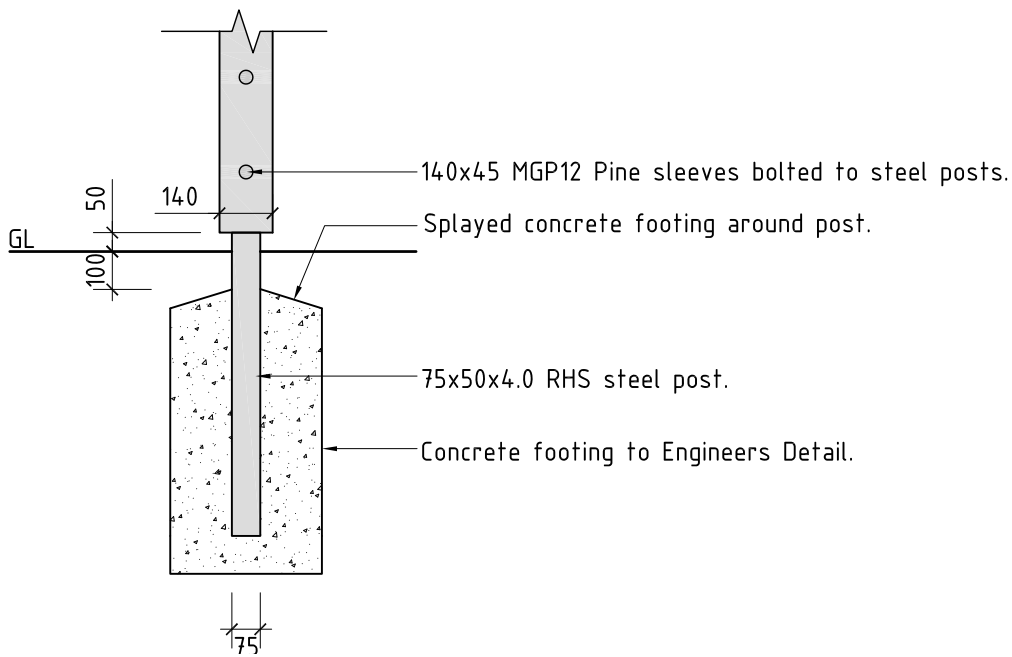
<b>Suitable Locations</b>	<ul style="list-style-type: none"> <li>▪ Informal Parks &amp; Community Recreation Reserves</li> <li>▪ Bushland &amp; Natural Areas</li> </ul>
<b>Common Locations</b>	<ul style="list-style-type: none"> <li>▪ Warriem Reserve and BJ Hubbard Reserve.</li> </ul>
<b>Dimensions</b>	<ul style="list-style-type: none"> <li>▪ 4000x4000x2900 above ground.</li> </ul>
<b>Material</b>	<ul style="list-style-type: none"> <li>▪ Pre-fabricated kit form LOSP treated &amp; stabilised plantation hoop pine with oil based stain timber work.</li> <li>▪ Pre-cut colorbond custom orb corrugated steel. Colour: 'Mist Green'</li> <li>▪ Shade screen front panel.</li> <li>▪ Hot dipped galvanised fixtures.</li> </ul>
<b>Installation</b>	<ul style="list-style-type: none"> <li>▪ Fix posts into individual concrete footings as shown in Installation Details.</li> <li>▪ Assemble shelter to manufacturer's instructions. Manufacturers also provide installation service.</li> <li>▪ Supplier to provide Engineerings certification, computations and shop drawings.</li> </ul>
<b>Product &amp; Supplier</b>	<ul style="list-style-type: none"> <li>▪ K302 Inskip Shelter by Landmark Products Ltd.</li> <li>▪ 4x4 Skillion Shelter by GR Design and Construct.</li> </ul>



Plan 1:100



Side Elevation 1:100



Installation Detail - Section 1:20