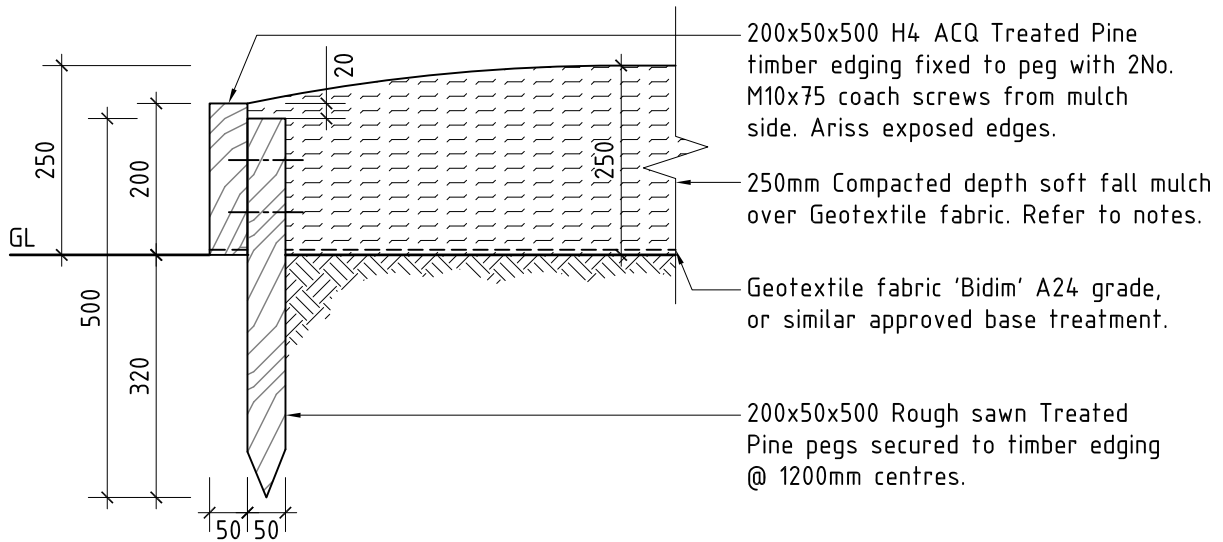




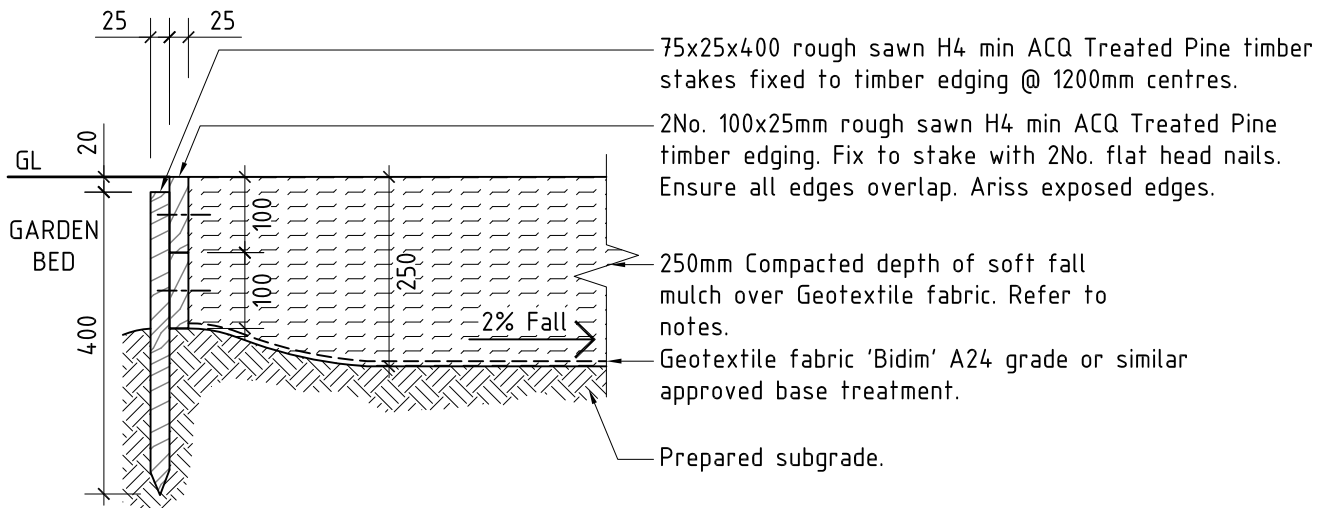
Suitable Locations	<ul style="list-style-type: none"> ▪ Significant Parks & Gardens ▪ Informal Parks & Community Recreation Reserves ▪ Sporting Reserves
Common Locations	<ul style="list-style-type: none"> ▪ Douglas Maggs Reserve
Dimensions	<ul style="list-style-type: none"> ▪ 250mm minimum depth soft fall mulch.
Material	<ul style="list-style-type: none"> ▪ 'Fine Pine Mulch' (shredded pine wood) specifically produced for playground soft fall use & tested to comply with requirements for impact absorbing ground surfacing material. AS/NZS 4422:1996. ▪ H4 minimum ACQ Treated Pine timber edging. ▪ Concrete edge plinths. ▪ 'Bidim' A24 Geo-textile fabric.
Installation	<ul style="list-style-type: none"> ▪ Prepare sub-grade. ▪ Install edging as required, shown in Installation Details. ▪ Place soft fall mulch on top of Geotextile fabric.
Maintenance	<ul style="list-style-type: none"> ▪ Replenish soft fall mulch as required.
Product & Supplier	<ul style="list-style-type: none"> ▪ Many suppliers available.

18.5 Playground Soft Fall Mulch & Edging

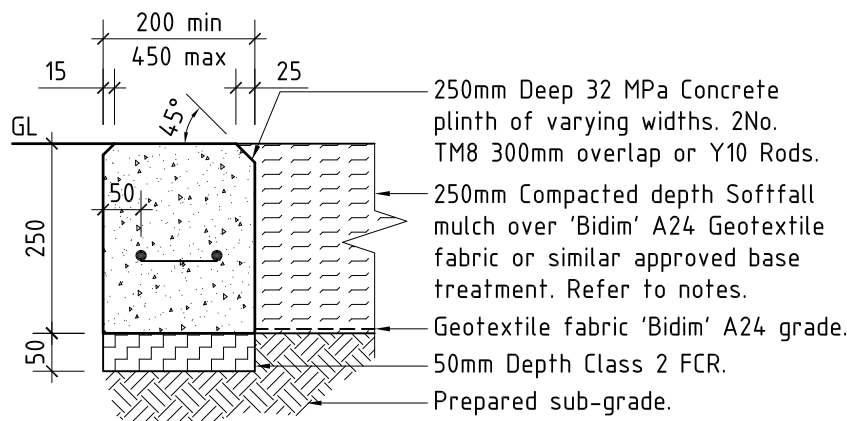
Detail



Above Ground Timber Sleeper Edge: Installation Detail - 1:10



In-ground Timber Edge: Installation Detail - 1:10



In-ground Concrete Edge Plinth: Installation Detail - 1:10

Notes:

Soft fall mulch shall be approved 'Fine Pine Mulch' (shredded pine wood) specifically produced for playground soft fall use & tested to comply with requirements for impact absorbing ground surfacing material. AS/NZS 4422:1996.