

LEGEND

- PROPOSED EXTENT OF FOOTPATH WORKS
- PROPOSED EXTENT OF GRASSED BASIN BASE
- PROPOSED FOOTPATH FUNCTIONING AS FILL BUND FOR FLOOD MITIGATION
- PROPOSED STORMWATER PIPE
- PROPOSED OPEN DRAIN AND FLOW DIRECTION
- CONCRETE SLEEPER RETAINING WALL
- IN-SITU CONCRETE RETAINING WALL
- EXISTING STORMWATER PIPE SHOWN INDICATIVELY
- EXISTING STORMWATER PIPE TO BE REMOVED
- EXISTING GRAVEL PATH TO BE PAVED AS PER MAROONDAH CITY COUNCIL STANDARD DRAWING SD-F01

CAD: BEE-V\PROJECTS\2009\MAROONDAH CITY COUNCIL\2009_071-DWG-0101.DWG
 LAST MODIFIED: 24/07/2020 10:31 PM
 THIS DRAWING IS CONFIDENTIAL AND SHALL ONLY BE USED BY ENGENY'S CLIENT FOR WHICH IT WAS PREPARED.

0 1 2 3 4 5m
 SCALE 1:100 (A1)
 SCALE BEFORE REDUCTION

REV	BY	DATE	REVISION DESCRIPTION	PM APPD	REFERENCE DOCUMENTS	DOCUMENT TITLE
D	JG	24.07.20	UPDATED AS PER COUNCIL COMMENTS	SD		
C	MW	13.03.20	UPDATED AS PER COUNCIL COMMENTS	SD		
B	MW	18.02.20	MINOR UPDATES	SD		
A	MW	13.03.20	UPDATED AS PER COUNCIL COMMENTS	SD		

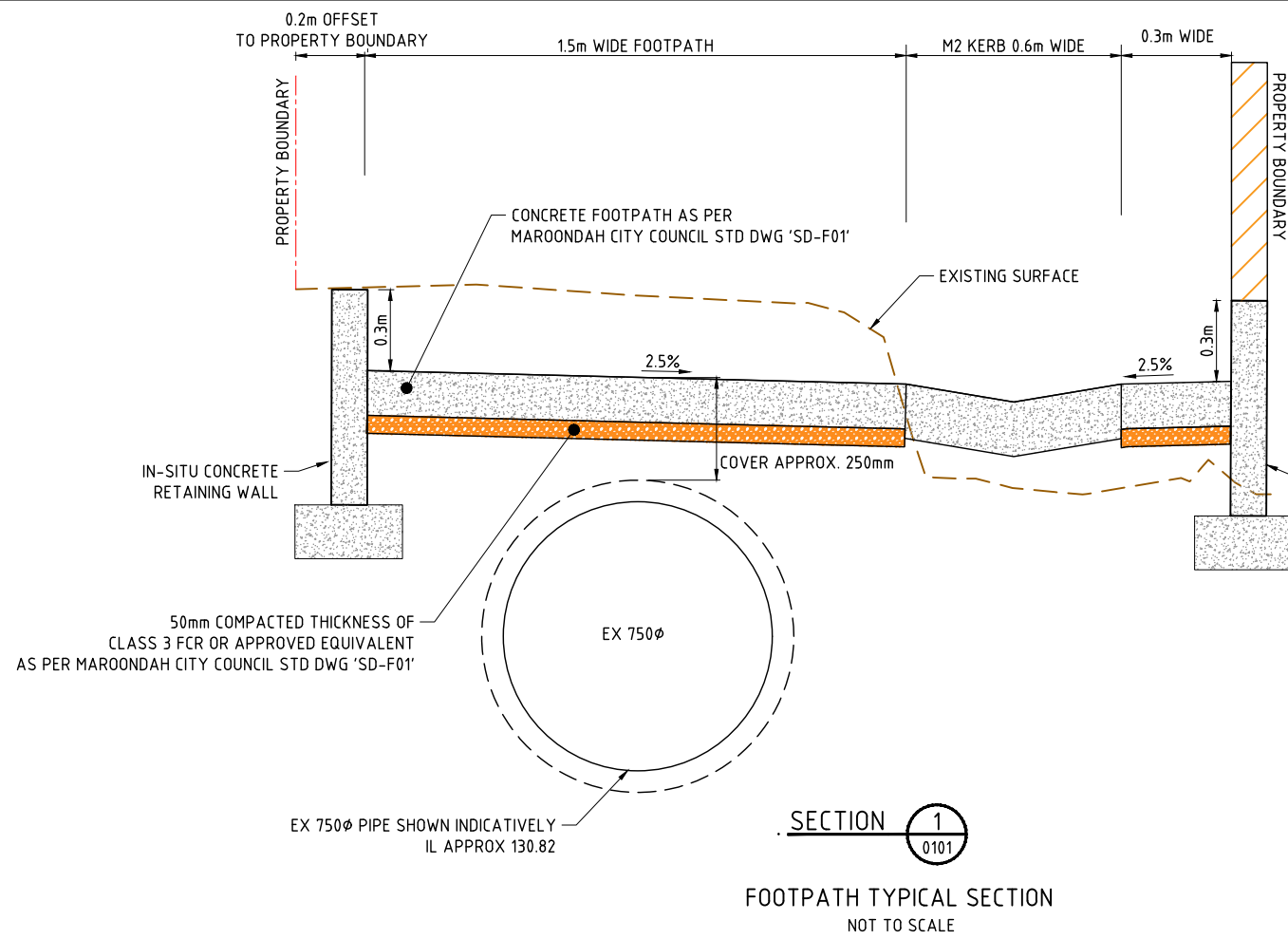


STATUS: **NOT FOR CONSTRUCTION - FOR REVIEW**

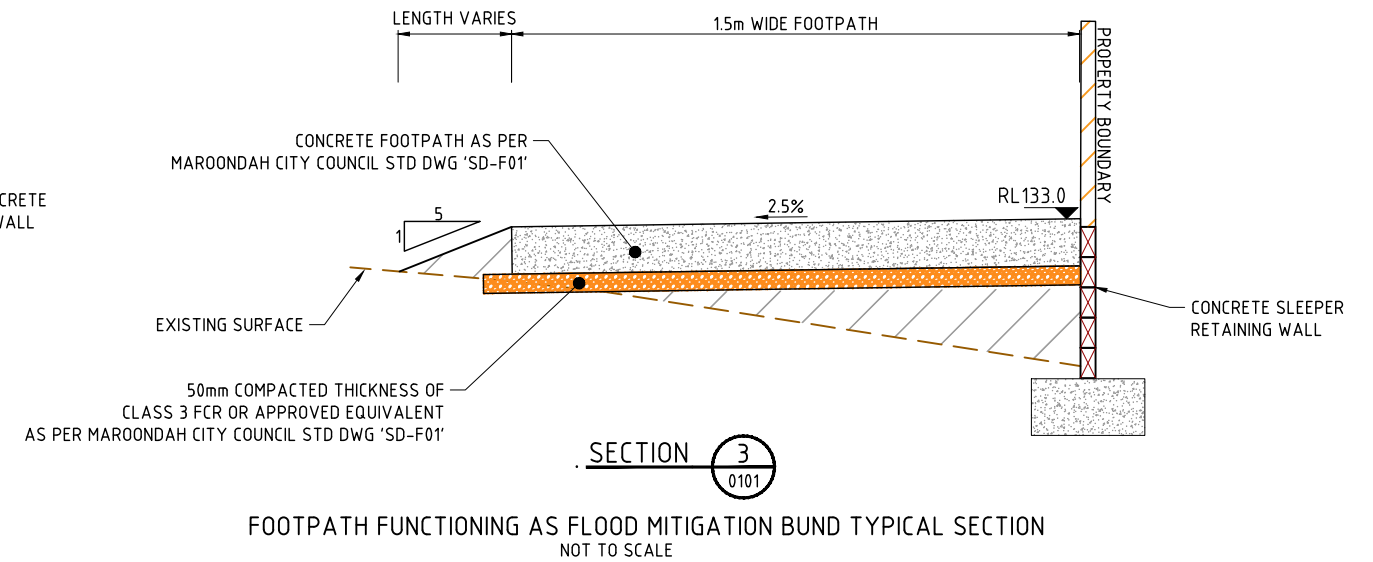
DESIGNED	TNO	CHECKED	SD
DRAWN	MW	CHECKED	TNO
PM APPD.	SD	PD APPD.	SD
CPENG		CPENG No.	

Ph: 03 9888 6978
 Level 34
 360 Elizabeth St
 Melbourne VIC
 www.engeny.com.au

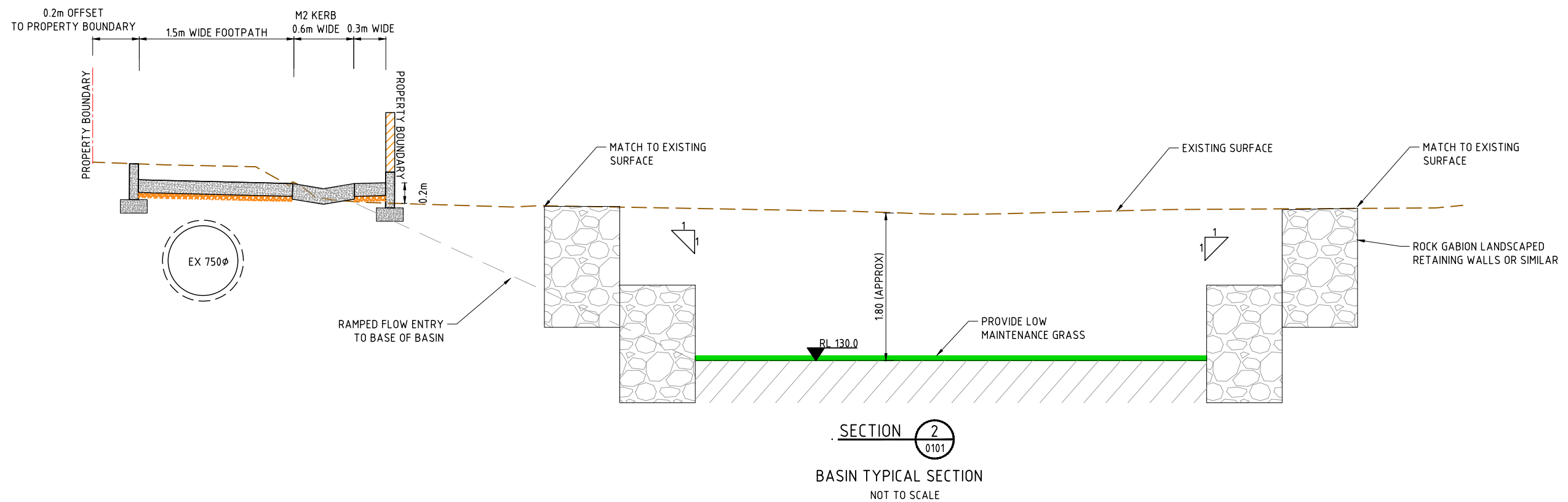
MAROONDAH CITY COUNCIL	
DERWENT STREET FLOOD MITIGATION FUNCTIONAL DESIGN SETOUT PLAN	
ORIGINAL SIZE A1	DWG NO. V2009-071-DWG-0101
	REV. D



SECTION 1
0101
FOOTPATH TYPICAL SECTION
NOT TO SCALE



SECTION 3
0101
FOOTPATH FUNCTIONING AS FLOOD MITIGATION BUND TYPICAL SECTION
NOT TO SCALE



SECTION 2
0101
BASIN TYPICAL SECTION
NOT TO SCALE

LAST MODIFIED: 22/02/2020 10:26 AM CAD: REF: V:\PROJECTS\2009\MAROONDAH CITY COUNCIL\2009-071\DERWENT STREET FLOOD MITIGATION\FUNCTIONAL DESIGN\2009-071-DWG-0201.DWG

THIS DRAWING IS CONFIDENTIAL AND SHALL ONLY BE USED BY ENGENY'S CLIENT FOR WHICH IT WAS PREPARED.						
REV	BY	DATE	REVISION DESCRIPTION	PM APPD	REFERENCE DOCUMENTS	DOCUMENT TITLE
B	MW	13.03.20	UPDATED AS PER COUNCIL COMMENTS	SD		
A	MW	18.02.20	FOR REVIEW	SD	DOC. NUMBER	DOCUMENT TITLE



STATUS: NOT FOR CONSTRUCTION - FOR REVIEW			
DESIGNED	TNO	CHECKED	TNO
DRAWN	MW	CHECKED	TNO
PM APPD	SD	PD APPD	SD
CPENG		CPENG No.	

MAROONDAH CITY COUNCIL	
DERWENT STREET FLOOD MITIGATION FUNCTIONAL DESIGN TYPICAL SECTIONS SHEET 1	
ORIGINAL SIZE: A1	DWG NO: V2009-071-DWG-0201
REV: B	