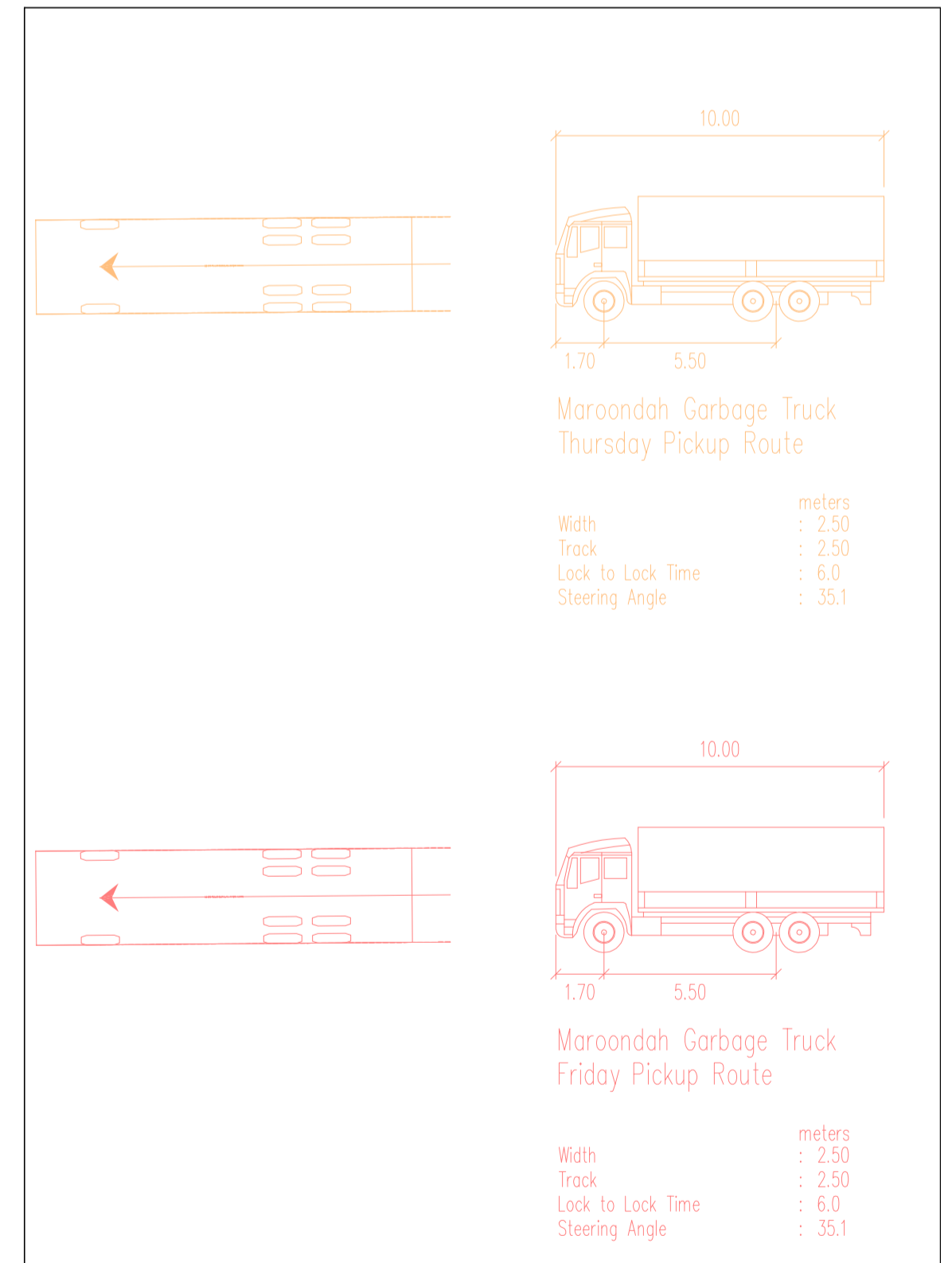
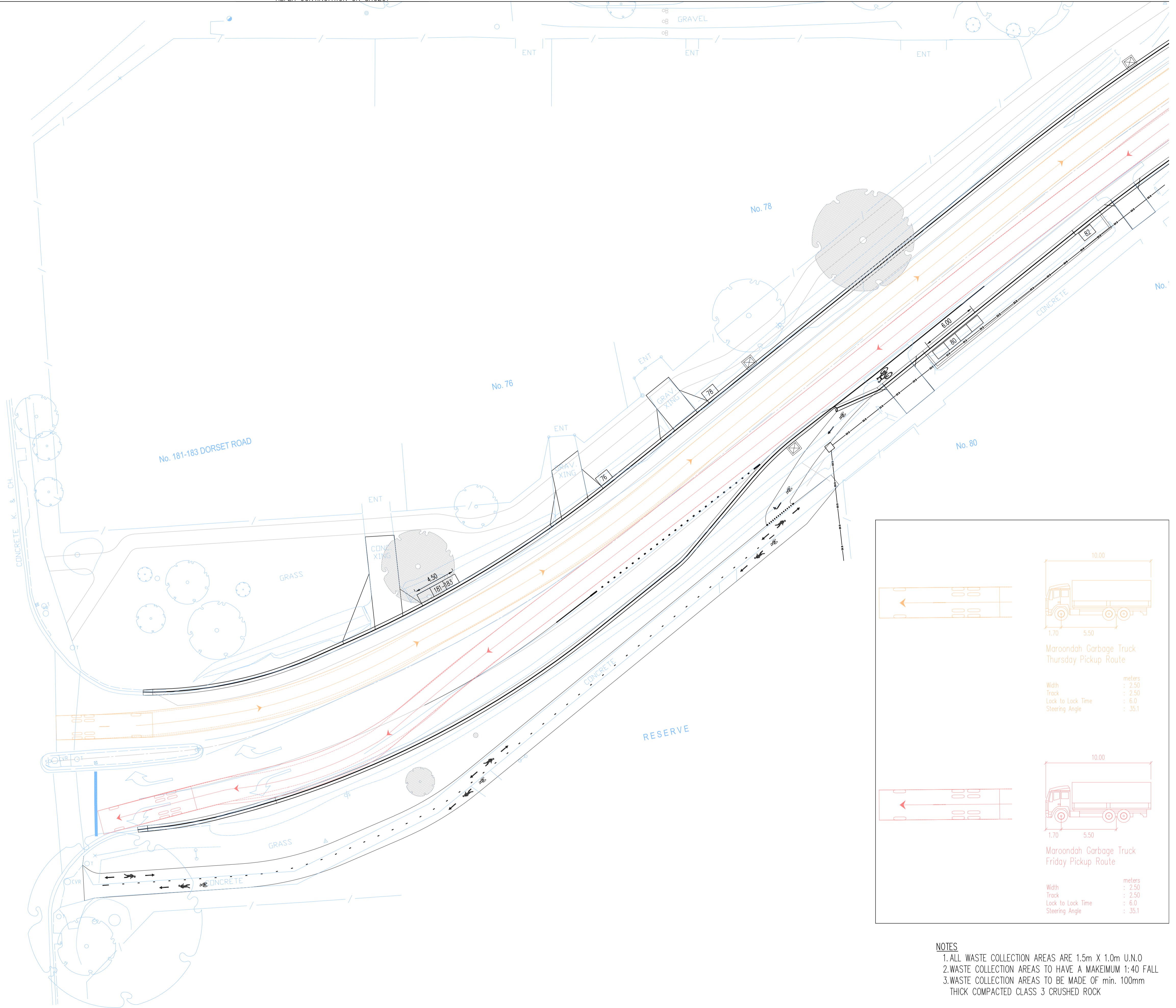


DORSET ROAD



- NOTES**
1. ALL WASTE COLLECTION AREAS ARE 1.5m X 1.0m U.N.O
 2. WASTE COLLECTION AREAS TO HAVE A MAKEIMUM 1:40 FALL
 3. WASTE COLLECTION AREAS TO BE MADE OF min. 100mm THICK COMPACTED CLASS 3 CRUSHED ROCK

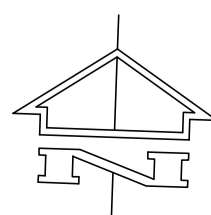
SCALE 1:200 0 2 4 6 8 10
AT ORIGINAL SIZE m

PRELIMINARY

Rev	Description	Eng	Draft	Date
P3	DETAILED DESIGN DOCUMENTATION	JB	MY	NYI
P2	DETAILED DESIGN DOCUMENTATION	JB	MY	NYI
P1	PRELIMINARY	SK	SK	29.09.17

DIAL BEFORE YOU DIG
www.1100.com.au

BEWARE OF UNDERGROUND SERVICES. THE LOCATION OF UNDERGROUND SERVICES ARE APPROXIMATE ONLY AND THEIR EXACT POSITION SHOULD BE PROVEN ON SITE. NO GUARANTEE IS GIVEN THAT ALL EXISTING SERVICES ARE SHOWN



Client

Maroondah City Council

304A Maroondah Hwy Ringwood East VIC 3134
T: +61 3 9298 4598

TTW Taylor Thomson Whitting

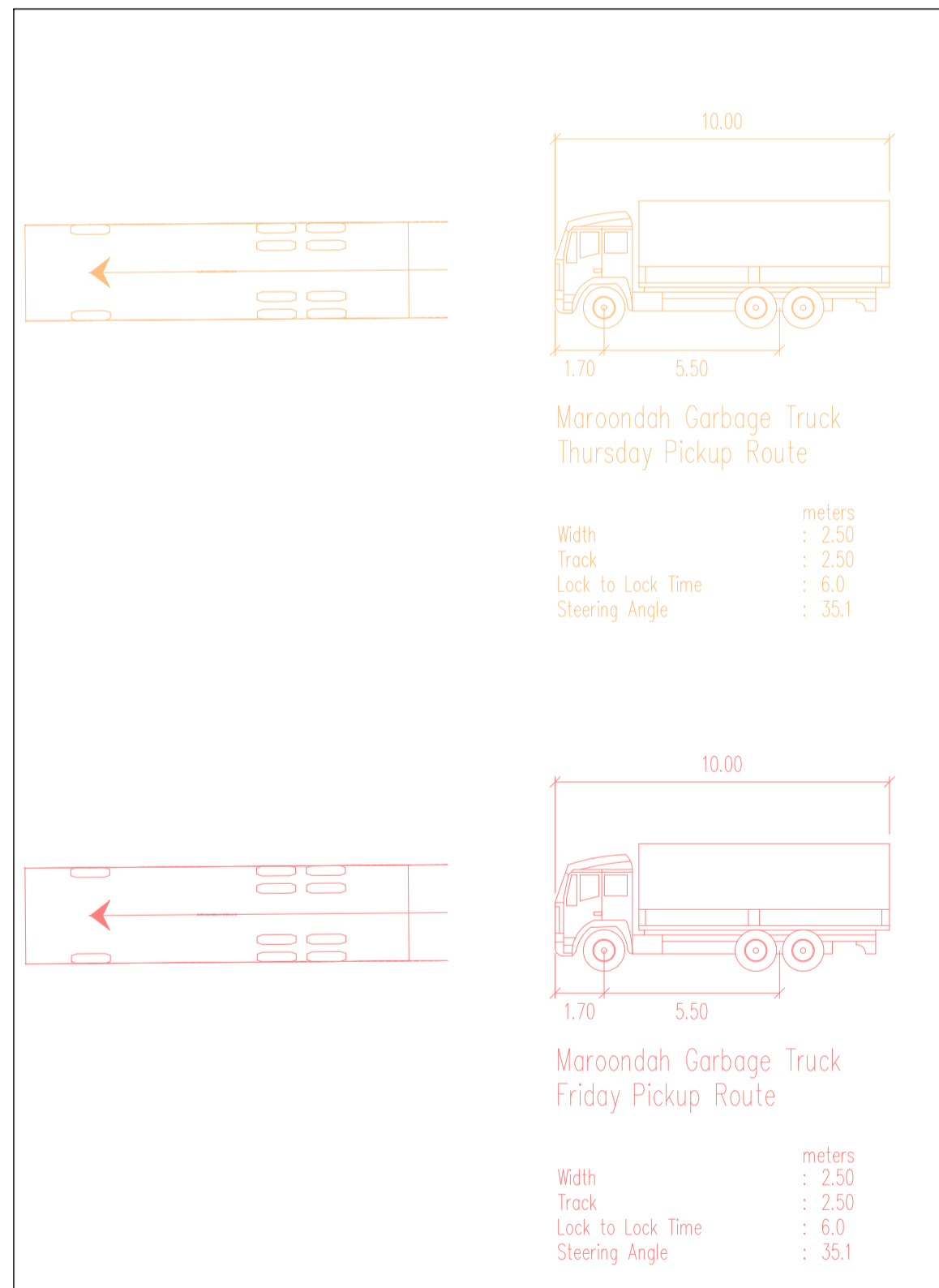
613 9602 1433 | L13 379 Colline Street Melbourne VIC 3000
This drawing is copyright and is the property of TAYLOR THOMSON WHITTING (VIC) Pty Ltd and must not be used without authorisation.

Project
LINCOLN ROAD, CROYDON

Sheet Subject
WASTE COLLECTION PLANS SHEET 01 OF 11

Job No	Drawing No	Revision
164064	SKC200	P3

Scale : A1 Drawn: SK
Plot File Created: Sep 09, 2019 - 3:59pm



- NOTES**
1. ALL WASTE COLLECTION AREAS ARE 1.5m X 1.0m U.N.O
 2. WASTE COLLECTION AREAS TO HAVE A MAKEIMUM 1:40 FALL
 3. WASTE COLLECTION AREAS TO BE MADE OF min. 100mm THICK COMPACTED CLASS 3 CRUSHED ROCK

SCALE 1:200 0 2 4 6 8 10
AT ORIGINAL SIZE

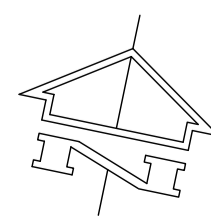


PRELIMINARY

Rev	Description	Eng	Draft	Date	Rev	Description	Eng	Draft	Date
P1	PRELIMINARY	SK	SK	29.09.17					

DIAL BEFORE YOU DIG
www.100.com.au

BEWARE OF UNDERGROUND SERVICES. THE LOCATION OF UNDERGROUND SERVICES ARE APPROXIMATE ONLY AND THEIR EXACT POSITION SHOULD BE PROVEN ON SITE. NO GUARANTEE IS GIVEN THAT ALL EXISTING SERVICES ARE SHOWN



Client

Maroondah City Council

304A Maroondah Hwy Ringwood East VIC 3134
T: +61 3 9298 4598

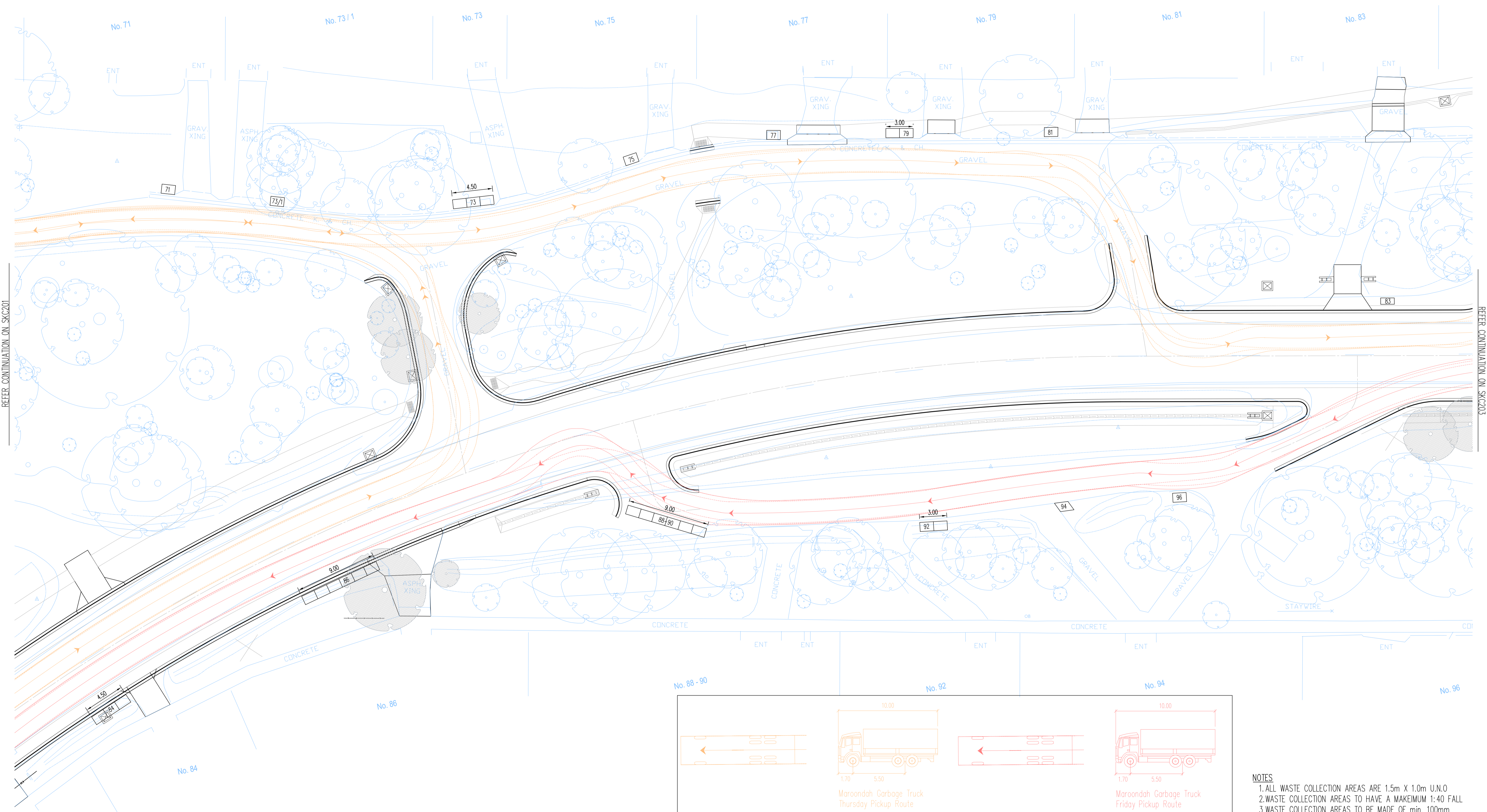
TTW Taylor Thomson Whitting

613 9602 1433 | L13 379 Collins Street Melbourne VIC 3000
This drawing is copyright and is the property of TAYLOR THOMSON WHITTING (VIC) Pty Ltd and must not be used without authorisation.

Project
LINCOLN ROAD, CROYDON

Sheet Subject
WASTE COLLECTION PLANS SHEET 02 OF 11

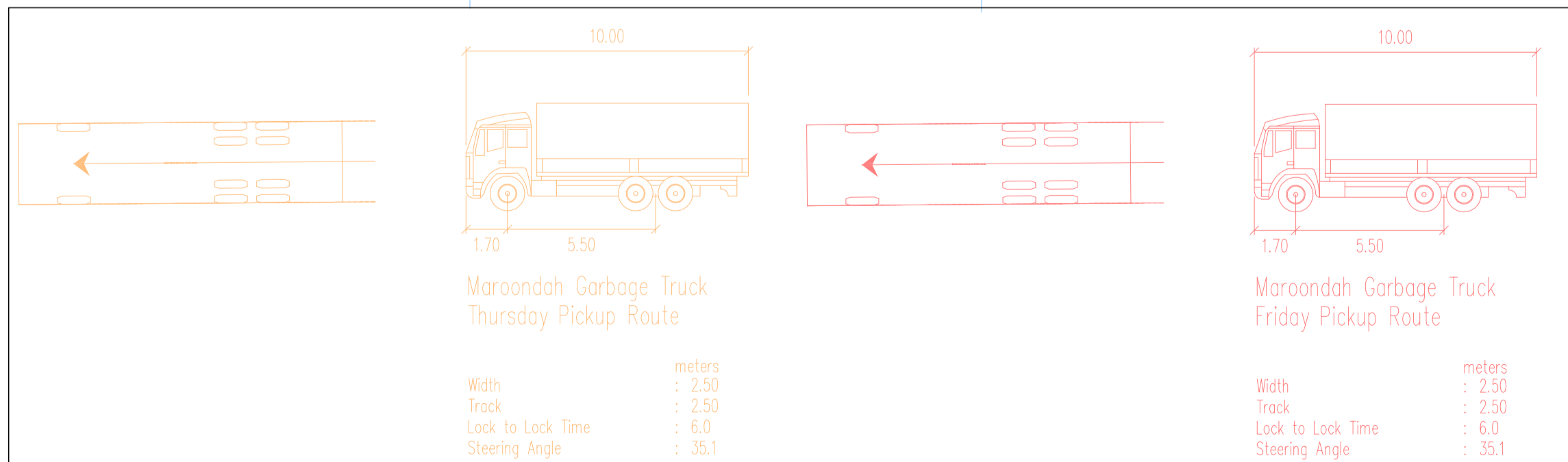
Scale : A1	Drawn: SK
Job No 164064	Drawing No SKC201
	Revision P1
Plot File Created: Sep 27, 2017 - 12:58pm	



REFER CONTINUATION ON SKC201

REFER CONTINUATION ON SKC203

SCALE 1:200 0 2 4 6 8 10
AT ORIGINAL SIZE



- NOTES**
1. ALL WASTE COLLECTION AREAS ARE 1.5m X 1.0m U.N.O
 2. WASTE COLLECTION AREAS TO HAVE A MAKEIMUM 1:40 FALL
 3. WASTE COLLECTION AREAS TO BE MADE OF min. 100mm THICK COMPACTED CLASS 3 CRUSHED ROCK

PRELIMINARY

Rev	Description	Eng	Draft	Date	Rev	Description	Eng	Draft	Date
P3	DETAILED DESIGN DOCUMENTATION	JB	MY	NM					
P2	DETAILED DESIGN DOCUMENTATION	JB	MY	NM					
P1	PRELIMINARY	SK	SK	29.09.17					

DIAL BEFORE YOU DIG
www.1100.com.au

BEWARE OF UNDERGROUND SERVICES. THE LOCATION OF UNDERGROUND SERVICES ARE APPROXIMATE ONLY AND THEIR EXACT POSITION SHOULD BE PROVEN ON SITE. NO GUARANTEE IS GIVEN THAT ALL EXISTING SERVICES ARE SHOWN

Client

Maroondah City Council
304A Maroondah Hwy Ringwood East VIC 3134
T: +61 3 9298 4898

TTW Taylor Thomson Whitting
613 9602 1433 | L13 379 Collins Street Melbourne VIC 3000
This drawing is copyright and is the property of TAYLOR THOMSON WHITTING (VIC) Pty Ltd and must not be used without authorisation.

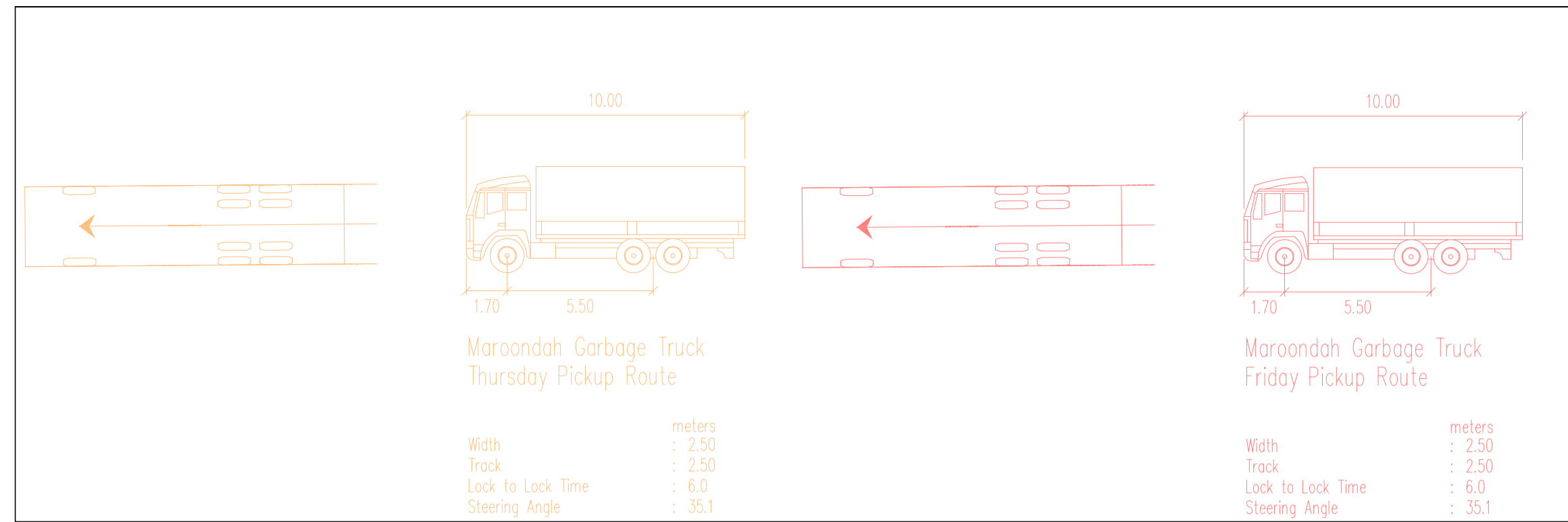
Project
LINCOLN ROAD, CROYDON

Sheet Subject
**WASTE COLLECTION PLANS
SHEET 03 OF 11**

Scale: A1 Drawn: SK

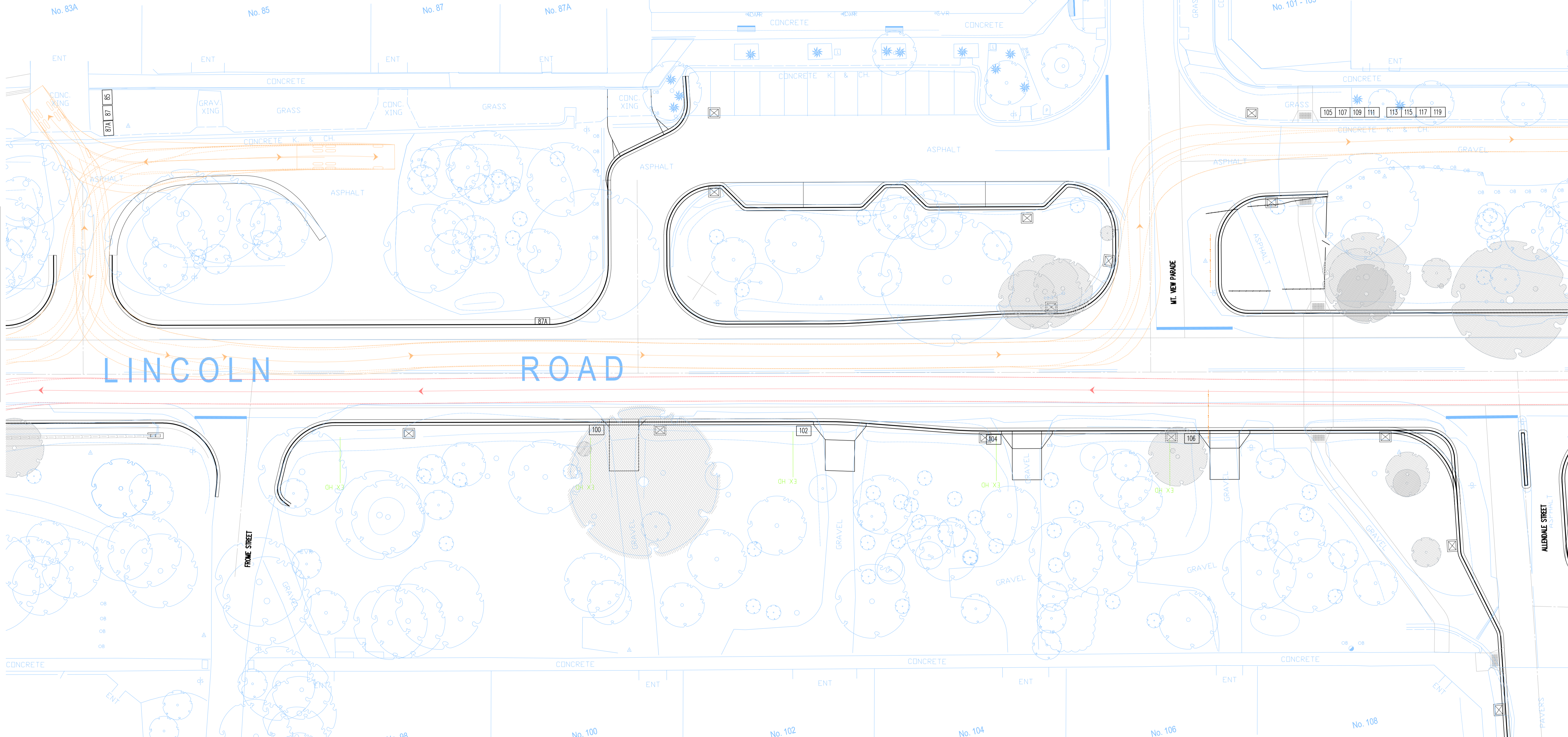
Job No	Drawing No	Revision
164064	SKC202	P3

Plot File Created: Sep 09, 2019 - 4:02pm



REFER CONTINUATION ON SKC202

REFER CONTINUATION ON SKC204



- NOTES**
1. ALL WASTE COLLECTION AREAS ARE 1.5m X 1.0m U.N.O
 2. WASTE COLLECTION AREAS TO HAVE A MAKEIMUM 1:40 FALL
 3. WASTE COLLECTION AREAS TO BE MADE OF min. 100mm THICK COMPACTED CLASS 3 CRUSHED ROCK

SCALE 1:200
AT ORIGINAL SIZE

PRELIMINARY

Rev	Description	Eng	Draft	Date	Rev	Description	Eng	Draft	Date
P3	DETAILED DESIGN DOCUMENTATION	JB	MY	NM					
P2	DETAILED DESIGN DOCUMENTATION	JB	MY	NM					
P1	PRELIMINARY	SK	SK	29.09.17					

DIAL BEFORE YOU DIG
1100 0000

BEWARE OF UNDERGROUND SERVICES.
THE LOCATION OF UNDERGROUND SERVICES ARE APPROXIMATE ONLY AND THEIR EXACT POSITION SHOULD BE PROVEN ON SITE. NO GUARANTEE IS GIVEN THAT ALL EXISTING SERVICES ARE SHOWN

Client
Maroondah City Council
304A Maroondah Hwy Ringwood East VIC 3134
T: +61 3 9298 4898

TTW Taylor Thomson Whitting
613 9602 1433 | L13 379 Collins Street Melbourne VIC 3000
This drawing is copyright and is the property of TAYLOR THOMSON WHITTING (VIC) Pty Ltd and must not be used without authorisation.

Project
LINCOLN ROAD, CROYDON

Sheet Subject
**WASTE COLLECTION PLANS
SHEET 04 OF 11**

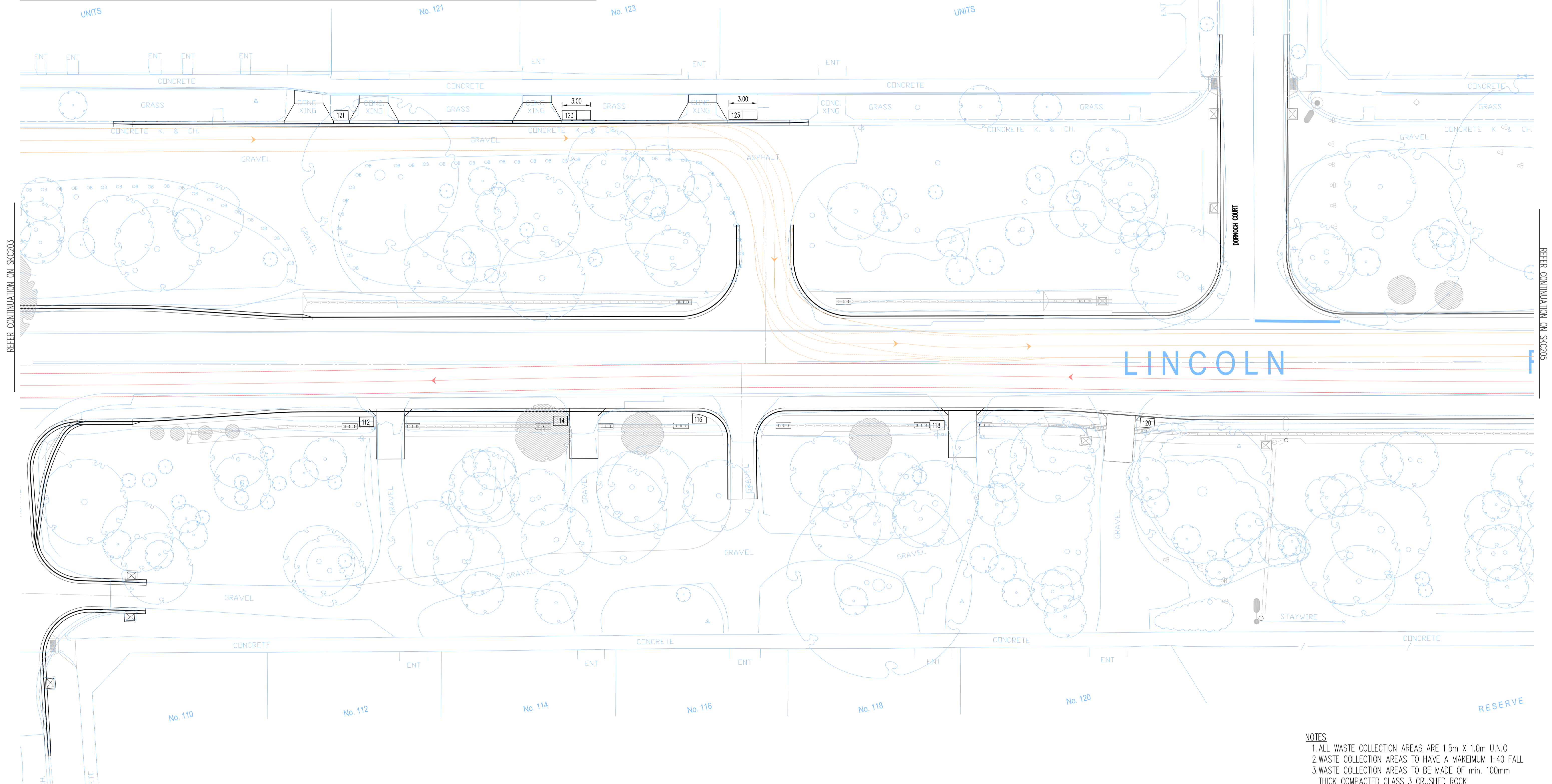
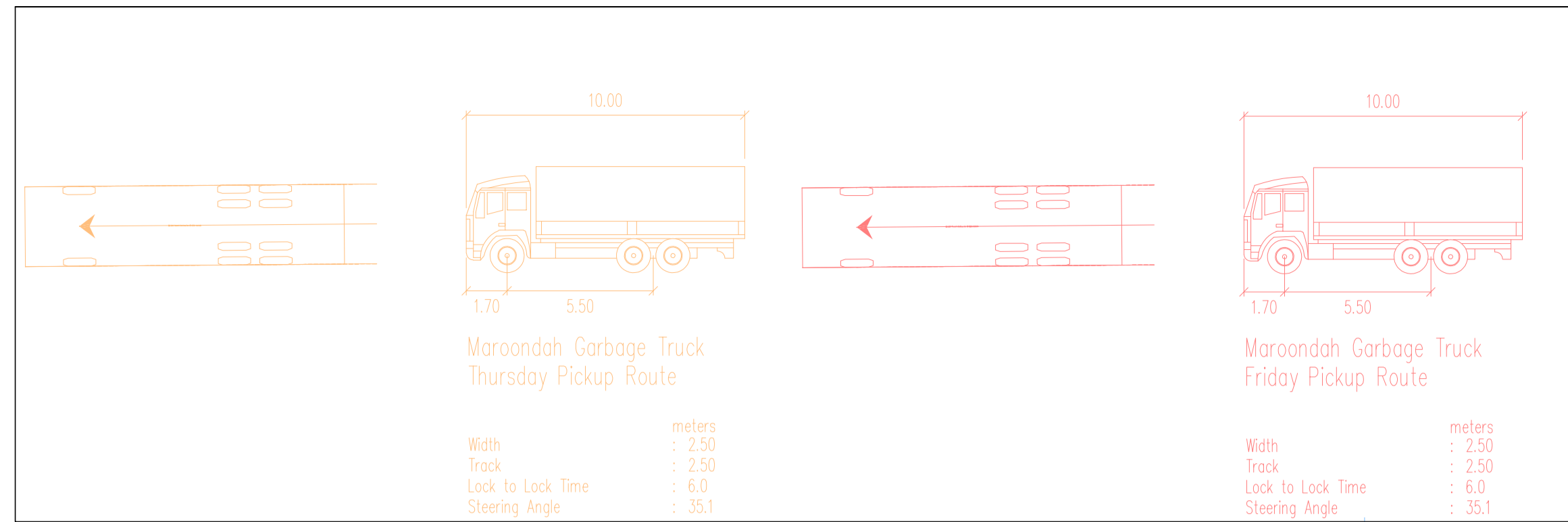
Scale : A1
Drawn: SK

Job No
164064

Drawing No
SKC203

Revision
P3

Plot File Created: Sep 09, 2019 - 4:04pm



- NOTES**
1. ALL WASTE COLLECTION AREAS ARE 1.5m X 1.0m U.N.O
 2. WASTE COLLECTION AREAS TO HAVE A MAKEIMUM 1:40 FALL
 3. WASTE COLLECTION AREAS TO BE MADE OF min. 100mm THICK COMPACTED CLASS 3 CRUSHED ROCK

SCALE 1:200 0 2 4 6 8 10
AT ORIGINAL SIZE

PRELIMINARY

Rev	Description	Eng	Draft	Date	Rev	Description	Eng	Draft	Date
P3	DETAILED DESIGN DOCUMENTATION	JB	MY	NM					
P2	DETAILED DESIGN DOCUMENTATION	JB	MY	NM					
P1	PRELIMINARY	SK	SK	29.09.17					

DIAL BEFORE YOU DIG
1100

BEWARE OF UNDERGROUND SERVICES.
THE LOCATION OF UNDERGROUND SERVICES ARE APPROXIMATE ONLY AND THEIR EXACT POSITION SHOULD BE PROVEN ON SITE. NO GUARANTEE IS GIVEN THAT ALL EXISTING SERVICES ARE SHOWN

Client
Maroodah City Council
304A Maroodah Hwy Ringwood East VIC 3134
T: +61 3 9298 4898

TTW Taylor Thomson Whitting
613 9602 1433 | L13 379 Collins Street Melbourne VIC 3000
This drawing is copyright and is the property of TAYLOR THOMSON WHITTING (VIC) Pty Ltd and must not be used without authorisation.

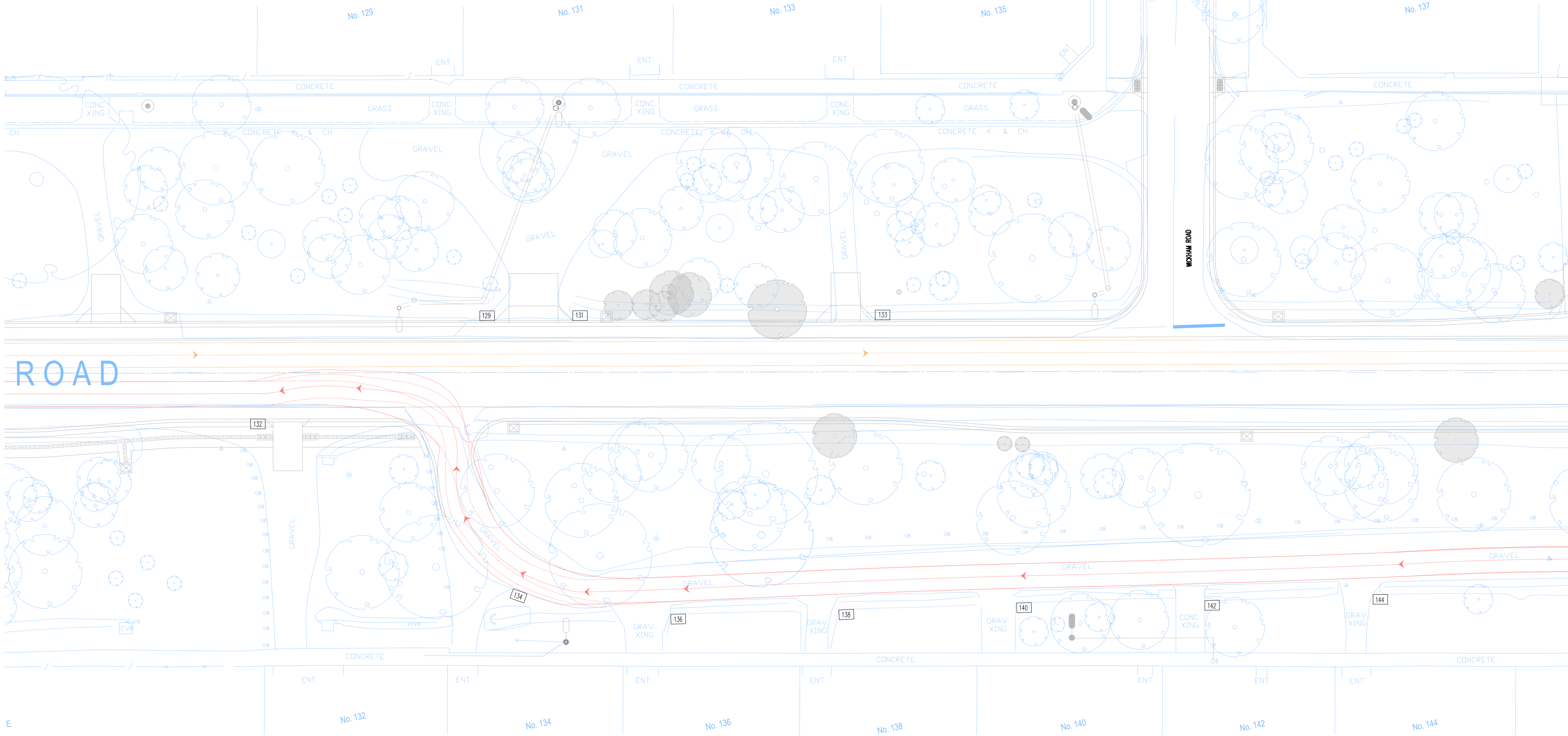
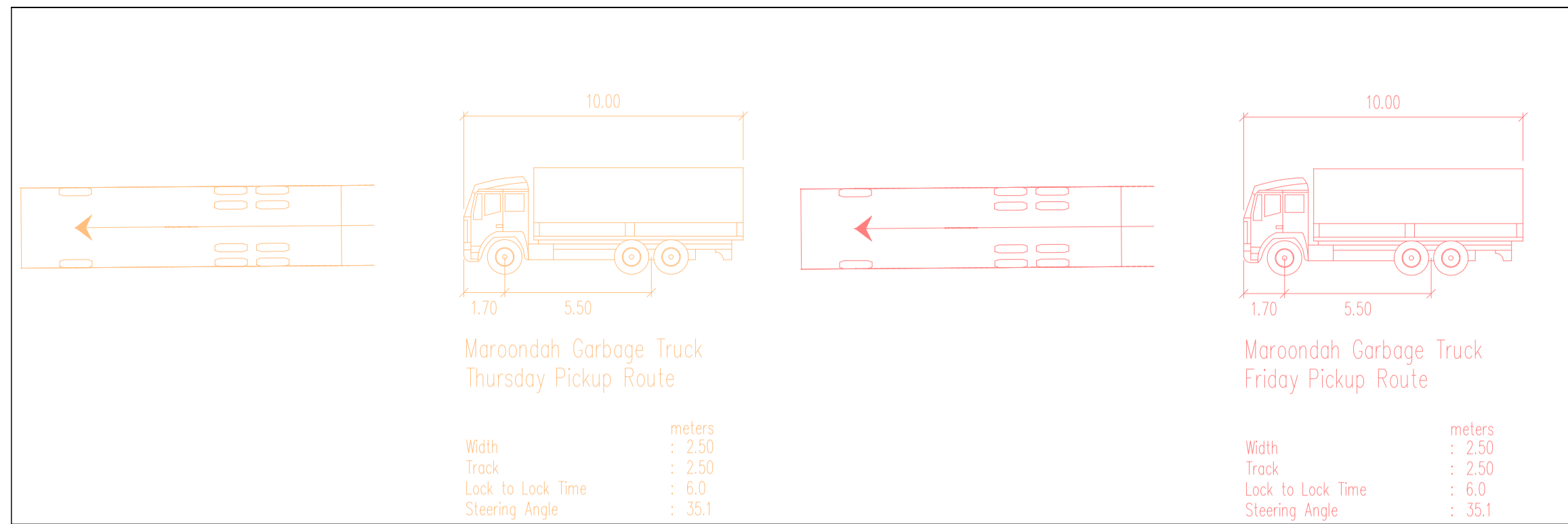
Project
LINCOLN ROAD, CROYDON

Sheet Subject
**WASTE COLLECTION PLANS
SHEET 05 OF 11**

Scale : A1 Drawn: SK

Job No 164064	Drawing No SKC204	Revision P3
-------------------------	-----------------------------	-----------------------

Plot File Created: Sep 09, 2019 - 4:06pm



SCALE 1:200
AT ORIGINAL SIZE

- NOTES**
1. ALL WASTE COLLECTION AREAS ARE 1.5m X 1.0m U.N.O
 2. WASTE COLLECTION AREAS TO HAVE A MAKEIMUM 1:40 FALL
 3. WASTE COLLECTION AREAS TO BE MADE OF min. 100mm THICK COMPACTED CLASS 3 CRUSHED ROCK

PRELIMINARY

Rev	Description	Eng	Draft	Date	Rev	Description	Eng	Draft	Date
P1	PRELIMINARY	SK	SK	29.09.17					

DIAL BEFORE YOU DIG
BEWARE OF UNDERGROUND SERVICES. THE LOCATION OF UNDERGROUND SERVICES ARE APPROXIMATE ONLY AND THEIR EXACT POSITION SHOULD BE PROVEN ON SITE. NO GUARANTEE IS GIVEN THAT ALL EXISTING SERVICES ARE SHOWN

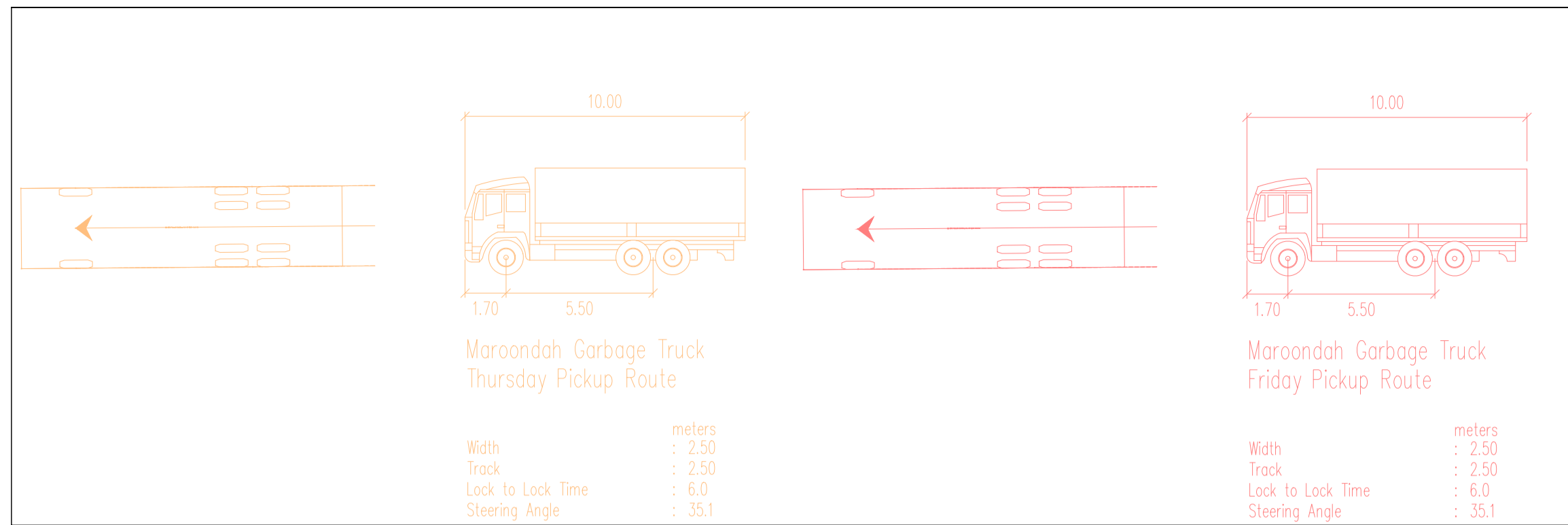
Client
Maroondah City Council
304A Maroondah Hwy Ringwood East VIC 3134
T: +61 3 9298 4598

TTW Taylor Thomson Whitting
613 9602 1433 | L13 379 Collins Street Melbourne VIC 3000
This drawing is copyright and is the property of TAYLOR THOMSON WHITTING (VIC) Pty Ltd and must not be used without authorisation.

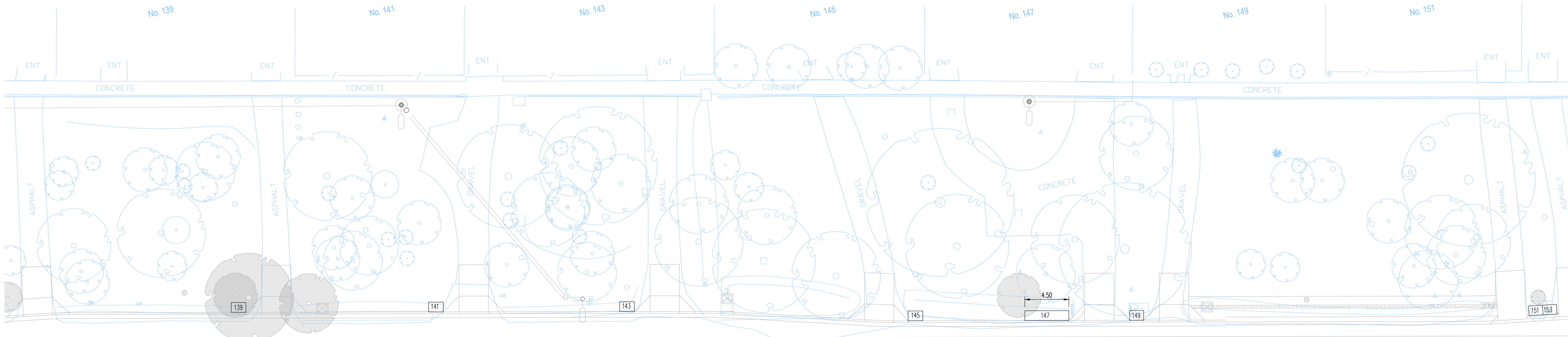
Project
LINCOLN ROAD, CROYDON

Sheet Subject
WASTE COLLECTION PLANS SHEET 06 OF 11

Scale : A1	Drawn: SK
Job No 164064	Drawing No SKC205
	Revision P1
Plot File Created: Sep 27, 2017 - 12:58pm	

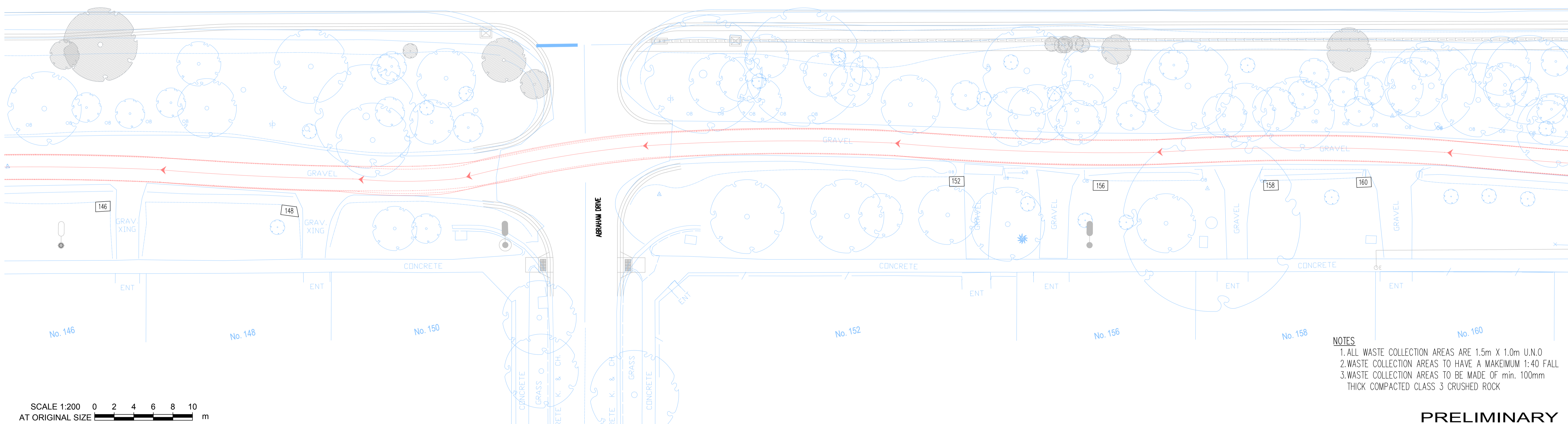


REFER CONTINUATION ON SKC205



LINCOLN

REFER CONTINUATION ON SKC207



- NOTES**
1. ALL WASTE COLLECTION AREAS ARE 1.5m X 1.0m U.N.O
 2. WASTE COLLECTION AREAS TO HAVE A MAKEIMUM 1:40 FALL
 3. WASTE COLLECTION AREAS TO BE MADE OF min. 100mm THICK COMPACTED CLASS 3 CRUSHED ROCK

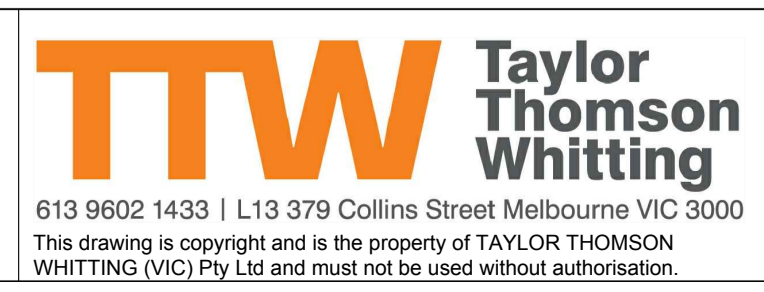
SCALE 1:200
AT ORIGINAL SIZE

PRELIMINARY

Rev	Description	Eng	Draft	Date
P1	PRELIMINARY	SK	SK	29.09.17

DIAL BEFORE YOU DIG
www.1100.com.au

BWARE OF UNDERGROUND SERVICES.
THE LOCATION OF UNDERGROUND SERVICES ARE APPROXIMATE ONLY AND THEIR EXACT POSITION SHOULD BE PROVEN ON SITE. NO GUARANTEE IS GIVEN THAT ALL EXISTING SERVICES ARE SHOWN



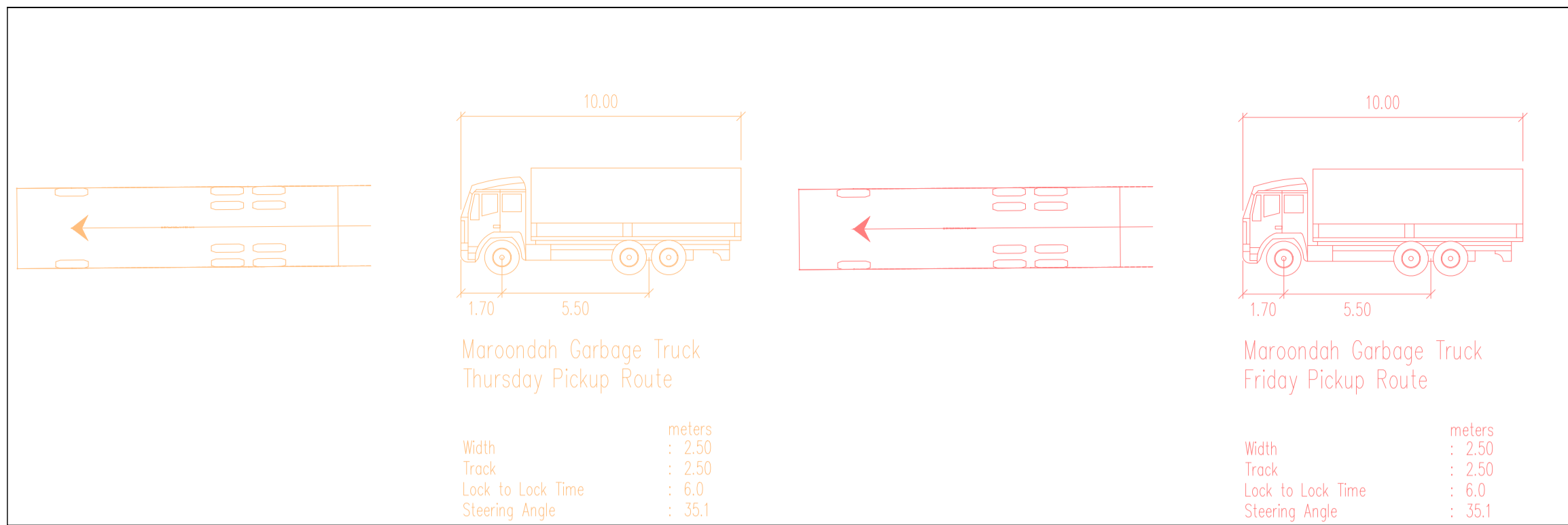
Project
LINCOLN ROAD, CROYDON

Sheet Subject
**WASTE COLLECTION PLANS
SHEET 07 OF 11**

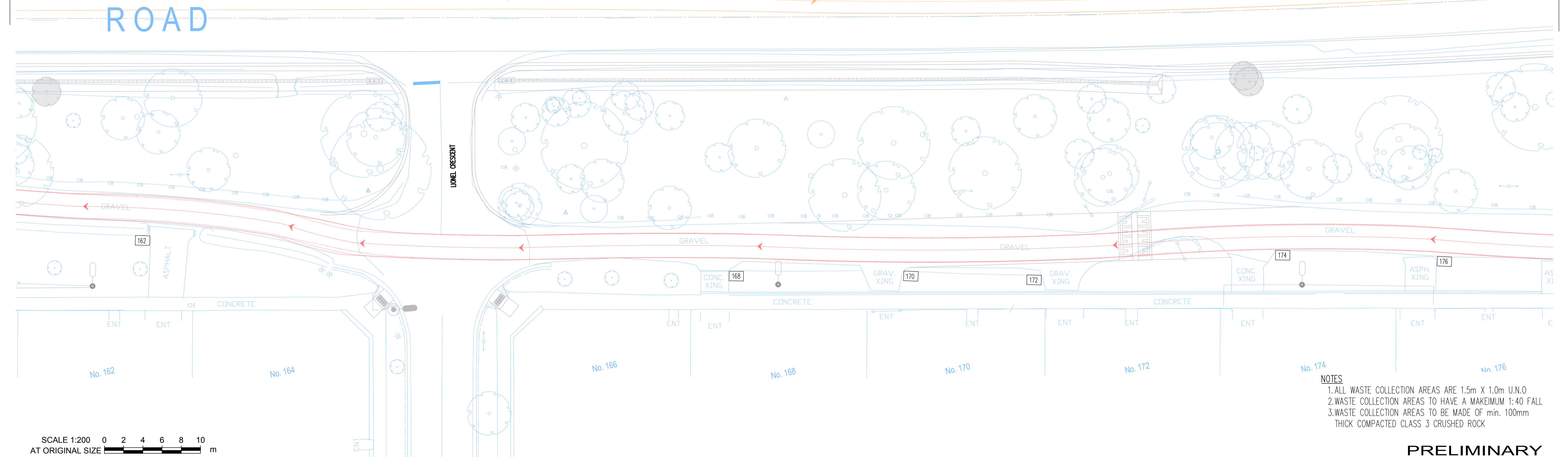
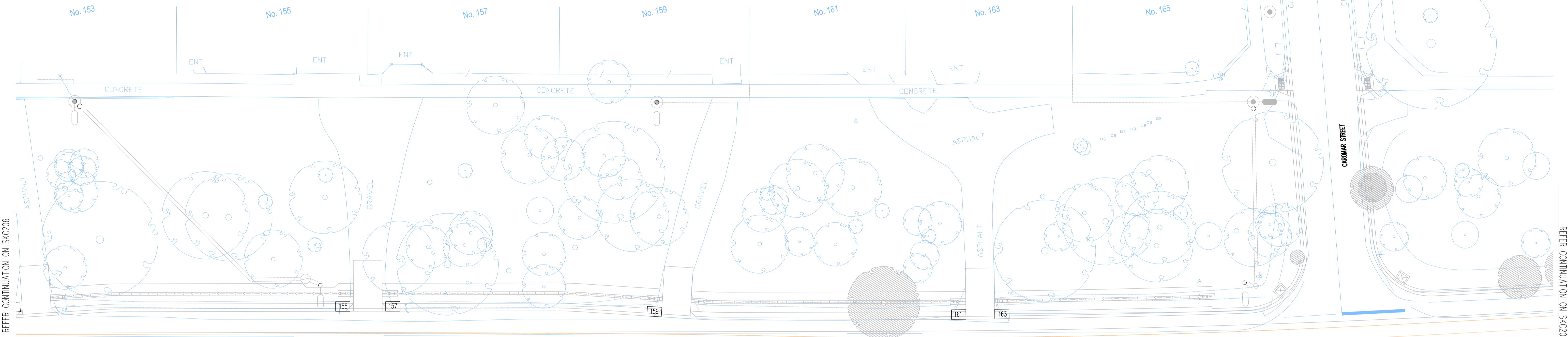
Scale : A1 Drawn: SK

Job No 164064	Drawing No SKC206	Revision P1
-------------------------	-----------------------------	-----------------------

Plot File Created: Sep 27, 2017 - 12:59pm



CAR



- NOTES**
1. ALL WASTE COLLECTION AREAS ARE 1.5m X 1.0m U.N.O
 2. WASTE COLLECTION AREAS TO HAVE A MAKEIMUM 1:40 FALL
 3. WASTE COLLECTION AREAS TO BE MADE OF min. 100mm THICK COMPACTED CLASS 3 CRUSHED ROCK

SCALE 1:200
AT ORIGINAL SIZE

PRELIMINARY

Rev	Description	Eng	Draft	Date
P1	PRELIMINARY	SK	SK	29.09.17

DIAL BEFORE YOU DIG
Beware of underground services. THE LOCATION OF UNDERGROUND SERVICES ARE APPROXIMATE ONLY AND THEIR EXACT POSITION SHOULD BE PROVEN ON SITE. NO GUARANTEE IS GIVEN THAT ALL EXISTING SERVICES ARE SHOWN

Client

304A Maroondah Hwy Ringwood East VIC 3134
T: +61 3 9298 4598

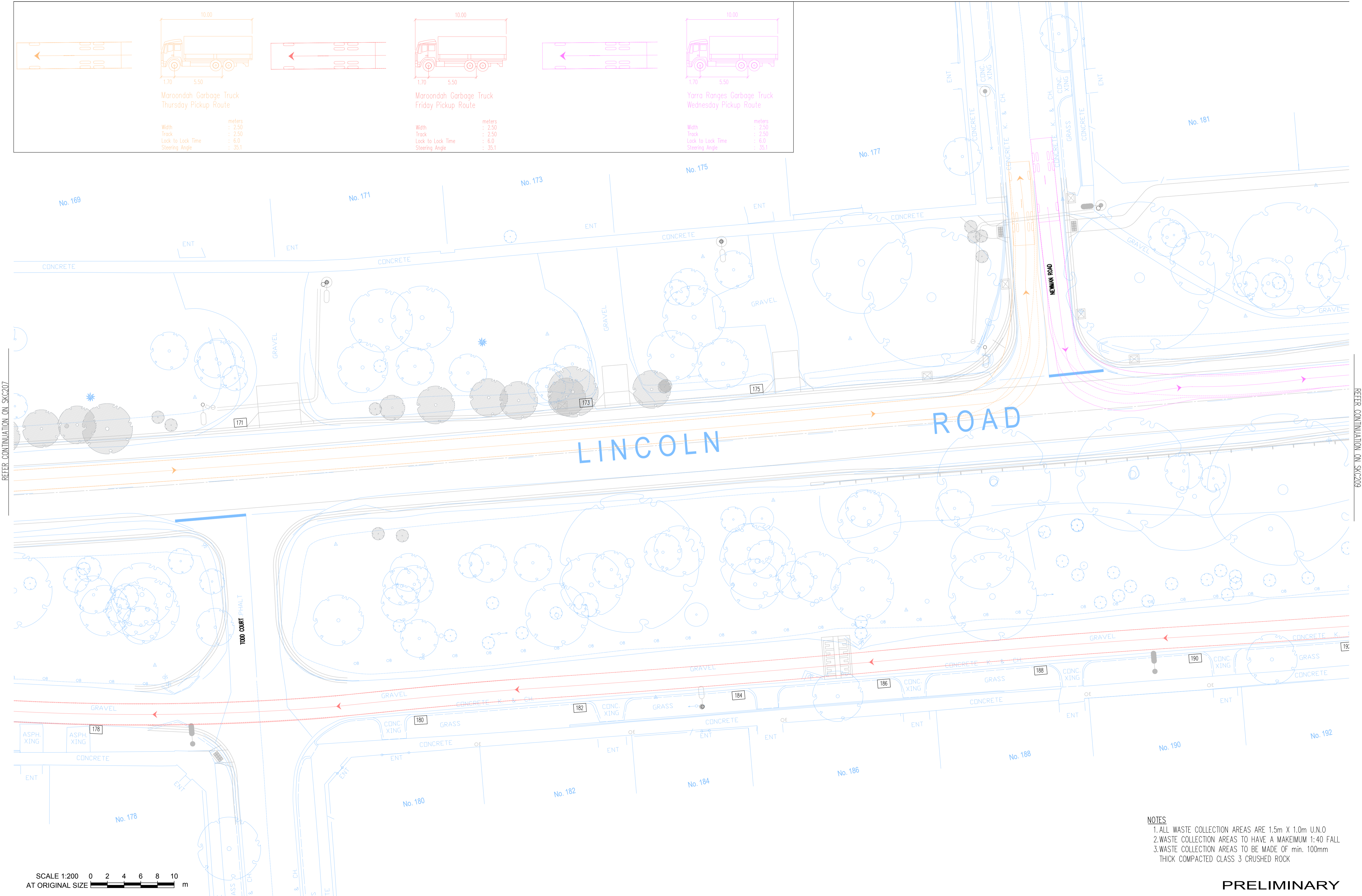
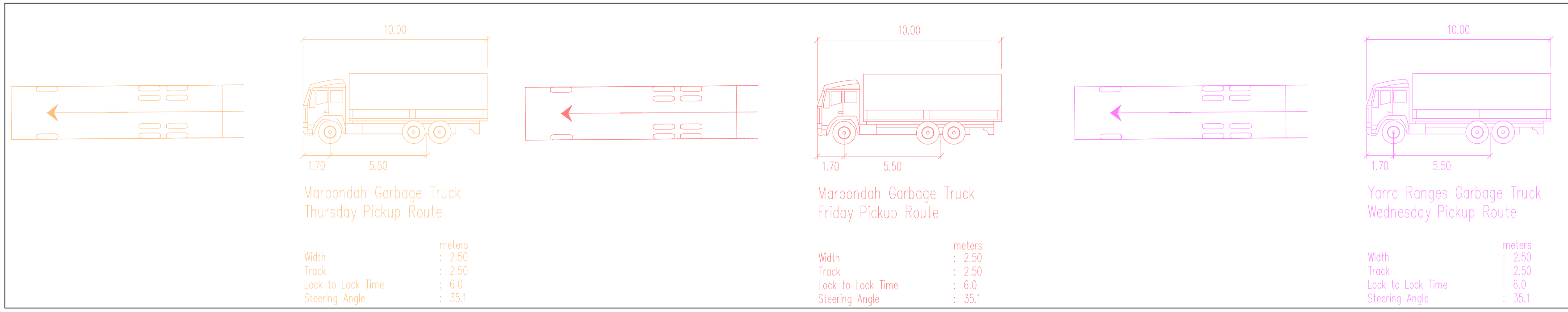
TTW Taylor Thomson Whitting

613 9602 1433 | L13 379 Collins Street Melbourne VIC 3000
This drawing is copyright and is the property of TAYLOR THOMSON WHITTING (VIC) Pty Ltd and must not be used without authorisation.

Project
LINCOLN ROAD, CROYDON

Sheet Subject
WASTE COLLECTION PLANS SHEET 08 OF 11

Scale : A1	Drawn: SK
Job No 164064	Drawing No SKC207
	Revision P1
Plot File Created: Sep 27, 2017 - 12:59pm	



REFER CONTINUATION ON SKC207

REFER CONTINUATION ON SKC209

- NOTES**
1. ALL WASTE COLLECTION AREAS ARE 1.5m X 1.0m U.N.O
 2. WASTE COLLECTION AREAS TO HAVE A MAKEIMUM 1:40 FALL
 3. WASTE COLLECTION AREAS TO BE MADE OF min. 100mm THICK COMPACTED CLASS 3 CRUSHED ROCK

SCALE 1:200
AT ORIGINAL SIZE

PRELIMINARY

Rev	Description	Eng	Draft	Date
P1	PRELIMINARY	SK	SK	29.09.17

DIAL BEFORE YOU DIG
www.100.com.au

BEWARE OF UNDERGROUND SERVICES. THE LOCATION OF UNDERGROUND SERVICES ARE APPROXIMATE ONLY AND THEIR EXACT POSITION SHOULD BE PROVEN ON SITE. NO GUARANTEE IS GIVEN THAT ALL EXISTING SERVICES ARE SHOWN

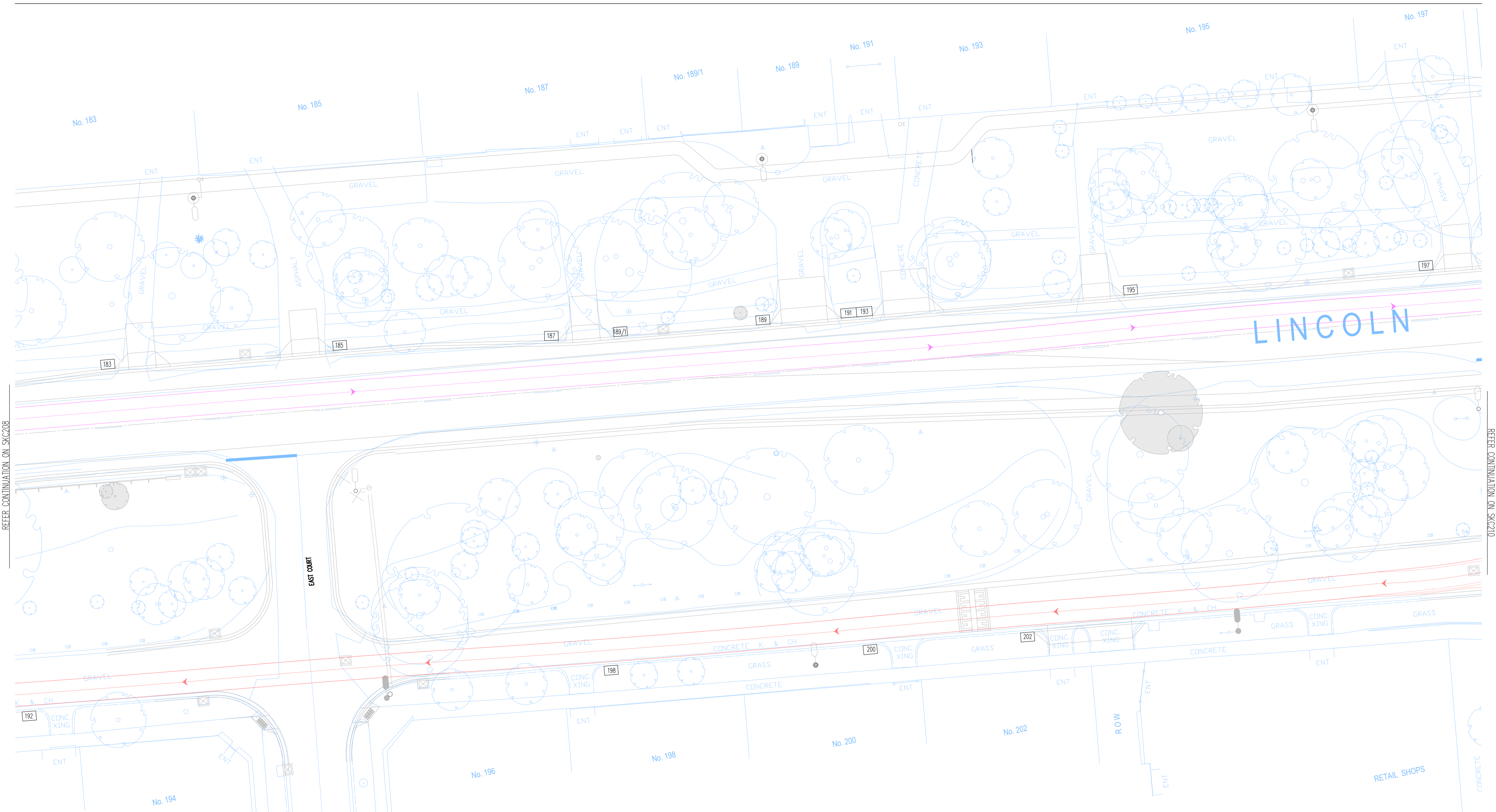
Client
Maroondah City Council
304A Maroondah Hwy Ringwood East VIC 3134
T: +61 3 9298 4598

613 9602 1433 | L13 379 Collins Street Melbourne VIC 3000
This drawing is copyright and is the property of TAYLOR THOMSON WHITTING (VIC) Pty Ltd and must not be used without authorisation.

Project
LINCOLN ROAD, CROYDON

Sheet Subject
**WASTE COLLECTION PLANS
SHEET 09 OF 11**

Scale : A1	Drawn: SK
Job No 164064	Drawing No SKC208
	Revision P1
Plot File Created: Sep 27, 2017 - 12:59pm	



REFER CONTINUATION ON SKC208

REFER CONTINUATION ON SKC210

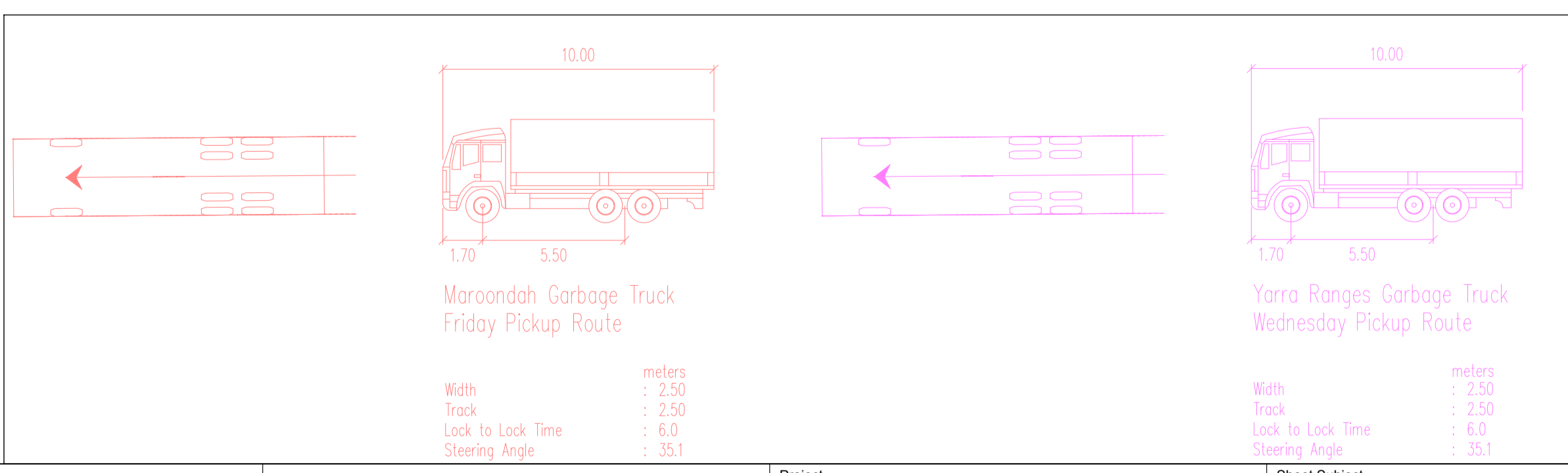
LINCOLN

RETAIL SHOPS

EAST COURT

ROW

SCALE 1:200
AT ORIGINAL SIZE



- NOTES**
1. ALL WASTE COLLECTION AREAS ARE 1.5m X 1.0m U.N.O
 2. WASTE COLLECTION AREAS TO HAVE A MAKEUP 1:40 FALL
 3. WASTE COLLECTION AREAS TO BE MADE OF min. 100mm THICK COMPACTED CLASS 3 CRUSHED ROCK

PRELIMINARY

Rev	Description	Eng	Draft	Date
P1	PRELIMINARY	SK	SK	29.09.17

DIAL BEFORE YOU DIG
www.100.com.au

BEWARE OF UNDERGROUND SERVICES. THE LOCATION OF UNDERGROUND SERVICES ARE APPROXIMATE ONLY AND THEIR EXACT POSITION SHOULD BE PROVEN ON SITE. NO GUARANTEE IS GIVEN THAT ALL EXISTING SERVICES ARE SHOWN

Client

304A Maroondah Hwy Ringwood East VIC 3134
T: +61 3 9298 4598

TTW Taylor Thomson Whitting

613 9602 1433 | L13 379 Collins Street Melbourne VIC 3000
This drawing is copyright and is the property of TAYLOR THOMSON WHITTING (VIC) Pty Ltd and must not be used without authorisation.

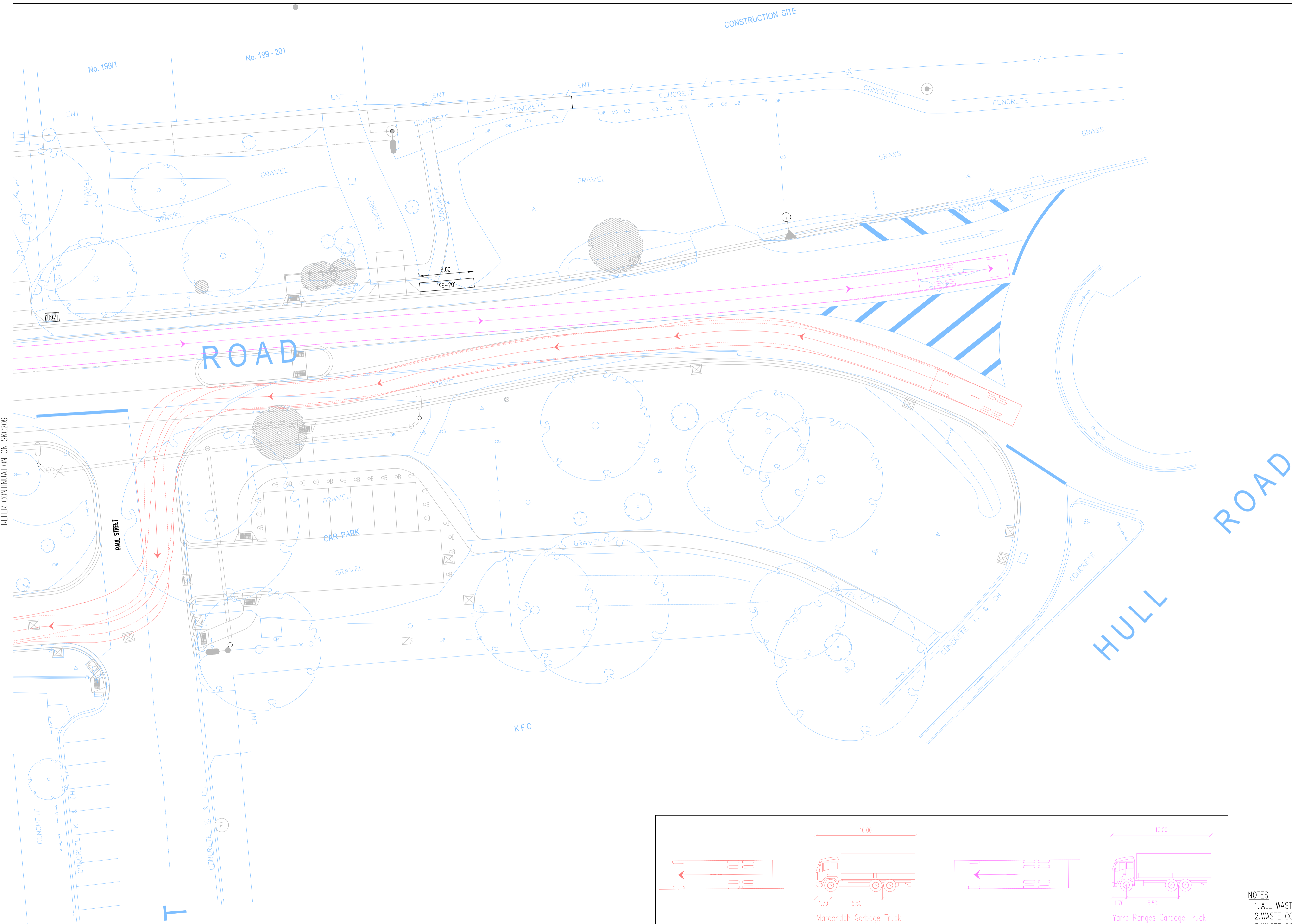
Project
LINCOLN ROAD, CROYDON

Sheet Subject
**WASTE COLLECTION PLANS
SHEET 10 OF 11**

Scale : A1 Drawn: SK

Job No	Drawing No	Revision
164064	SKC209	P1

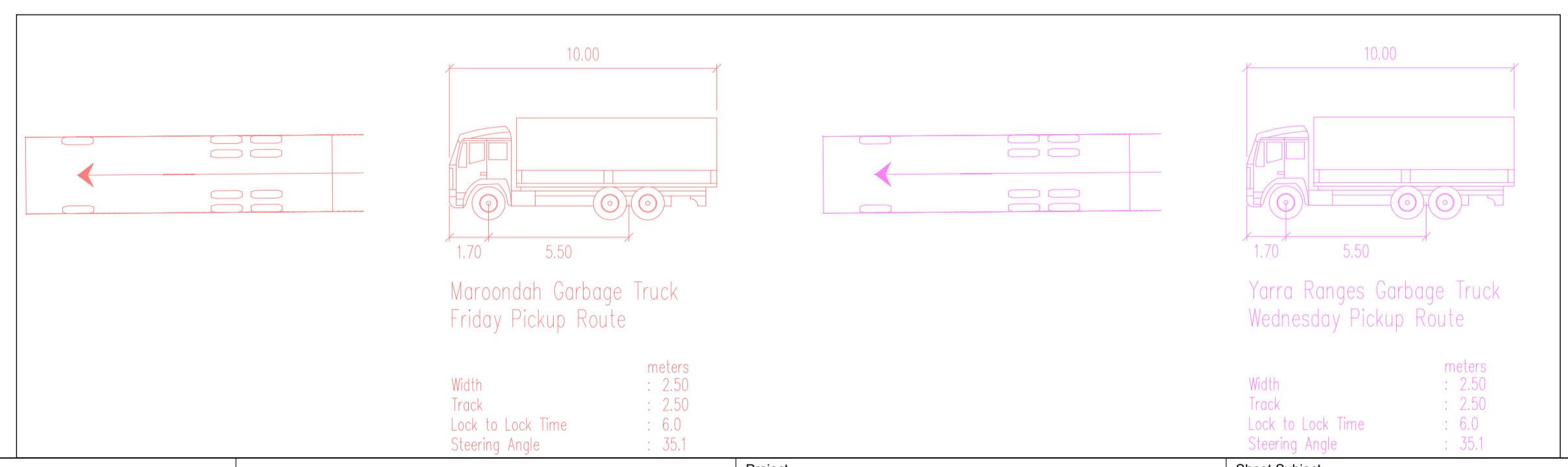
Plot File Created: Sep 27, 2017 - 12:59pm



REFER CONTINUATION ON SKC209

SCALE 1:200
AT ORIGINAL SIZE

- NOTES**
1. ALL WASTE COLLECTION AREAS ARE 1.5m X 1.0m U.N.O
 2. WASTE COLLECTION AREAS TO HAVE A MAXIMUM 1:40 FALL
 3. WASTE COLLECTION AREAS TO BE MADE OF MIN. 100mm THICK COMPACTED CLASS 3 CRUSHED ROCK



PRELIMINARY

Rev	Description	Eng	Draft	Date
P1	PRELIMINARY	SK	SK	29.09.17

DIAL BEFORE YOU DIG
BEWARE OF UNDERGROUND SERVICES. THE LOCATION OF UNDERGROUND SERVICES ARE APPROXIMATE ONLY AND THEIR EXACT POSITION SHOULD BE PROVEN ON SITE. NO GUARANTEE IS GIVEN THAT ALL EXISTING SERVICES ARE SHOWN

Client

 304A Maroondah Hwy Ringwood East VIC 3134
 T: +61 3 9298 4598

TTW Taylor Thomson Whitting
 613 9602 1433 | L13 379 Collins Street Melbourne VIC 3000
 This drawing is copyright and is the property of TAYLOR THOMSON WHITTING (VIC) Pty Ltd and must not be used without authorisation.

Project
 LINCOLN ROAD, CROYDON

Sheet Subject
WASTE COLLECTION PLANS
SHEET 11 OF 11

Scale: A1 Drawn: SK

Job No	Drawing No	Revision
164064	SKC210	P1

Plot File Created: Sep 27, 2017 - 12:59pm